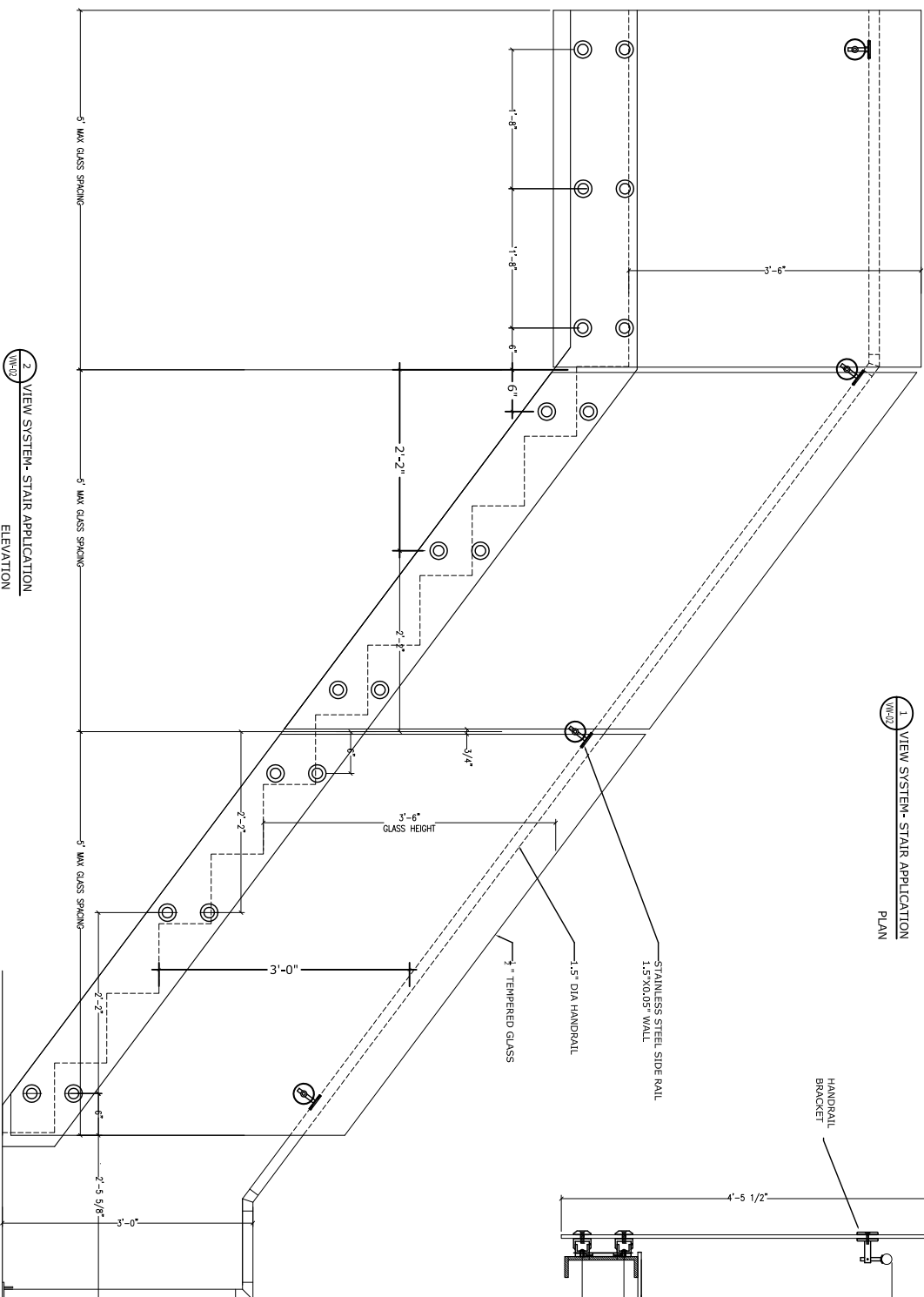
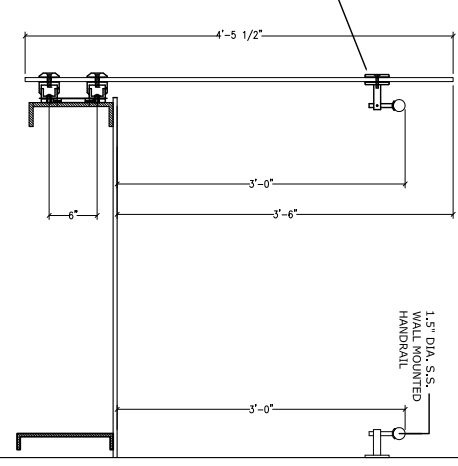


1 VIEW SYSTEM- STAIR APPLICATION PLAN



2 VIEW SYSTEM- STAIR APPLICATION ELEVATION



2 STAIR APPLICATION SECTION

DATE	APPROVED FOR FABRICATION

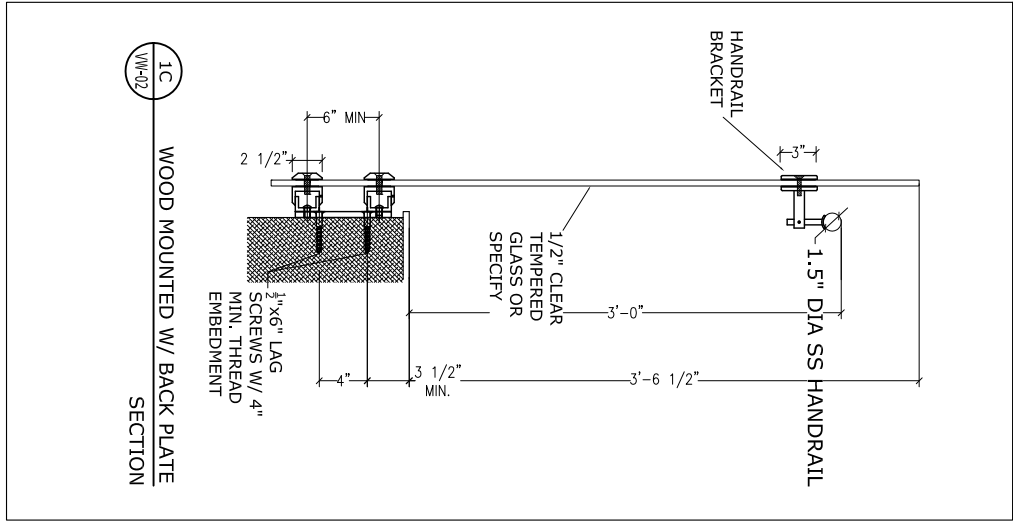
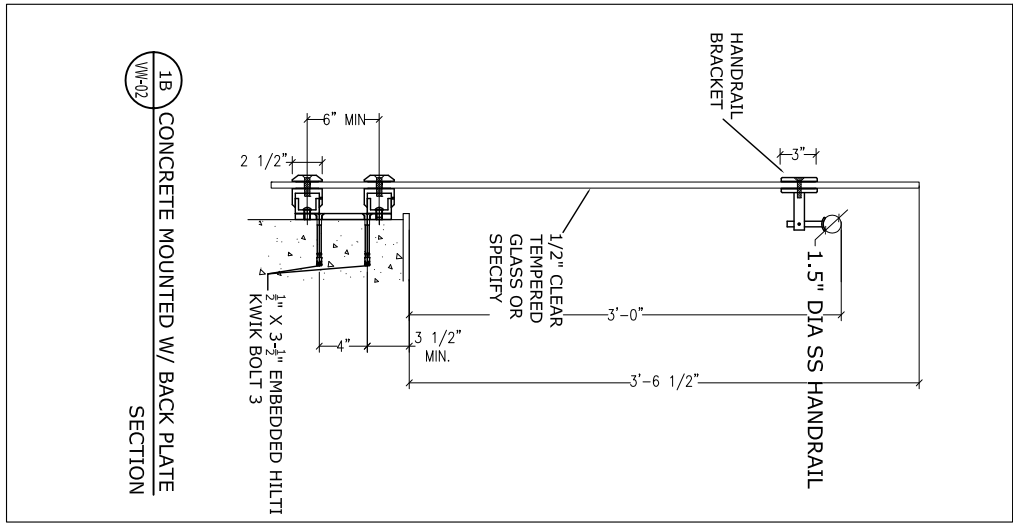
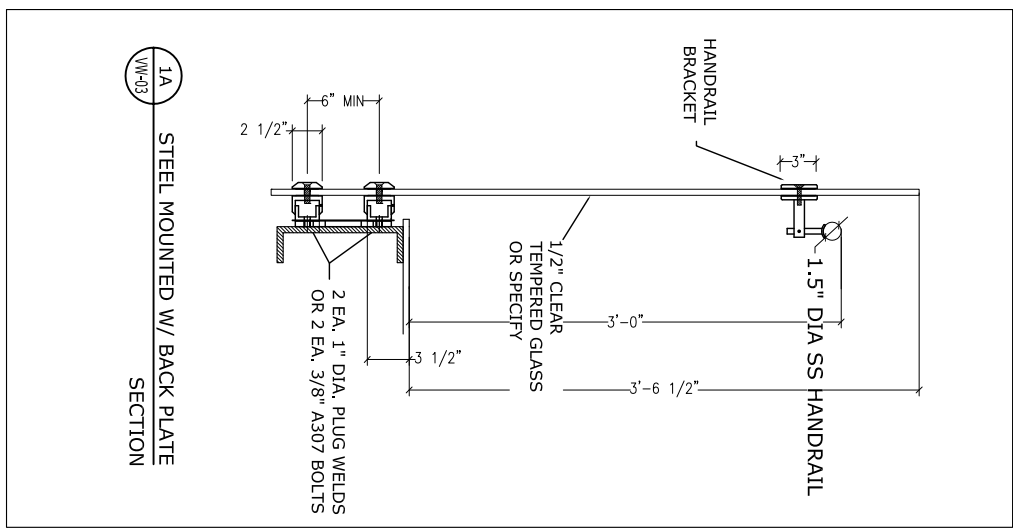
NO.	REVISION	DATE



project: _____
 scale: 1/2" = 1'-0"
 submitted on: _____
 client: _____
 content: _____
 VMA VIEW GLASS RAILING SYSTEM

drawn by: _____
 checked by: _____
 date: _____
 drawing no.: **VW-02**

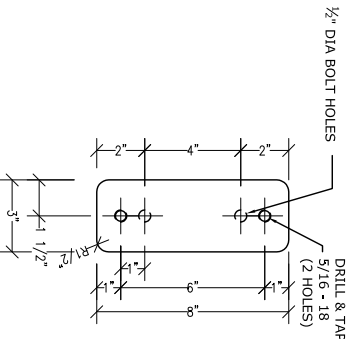
NO.	REVISIONS



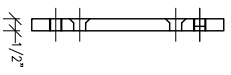
APPROVED FOR FABRICATION	
DATE	SCALE

project:
 scale: 3/4" = 1'-0"
 approved on:
 client:
 content:
 VVA VIEW GLASS RAILING SYSTEM

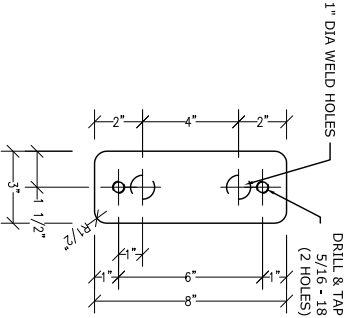
NO.	DATE	REVISIONS



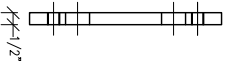
1 CONCRETE MOUNTED BASE PLATE
 FRONT ELEVATION



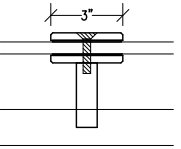
2 CONC. MOUNTED BASE PLATE
 SIDE ELEVATION



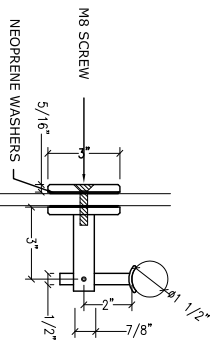
3 STEEL MOUNTED BASE PLATE
 FRONT ELEVATION



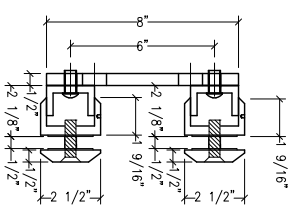
4 STEEL MOUNTED BASE PLATE
 SIDE ELEVATION



5 HANDRAIL BRACKET
 TOP VIEW



6 HANDRAIL BRACKET
 SIDE ELEVATION



7 VIEW STAND-OFF W/ BASE PLATE
 INTERMEDIATE POSITION

APPROVED FOR FABRICATION	
DATE	SCALE

project
 scale: 1/2" = 1'-0"
 submitted on:
 client:
 contact
 VVA VIEW GLASS RAILING SYSTEM