

NOTE:
 REFER TE-03 FOR MOUNTING OPTIONS
 REFER TE-04 FOR CORNER OPTIONS

2 TEE CABLE RAILING SYSTEM
TE-01
ELEVATION

3 TEE CABLE RAILING SYSTEM
TE-01
SIDE ELEVATION

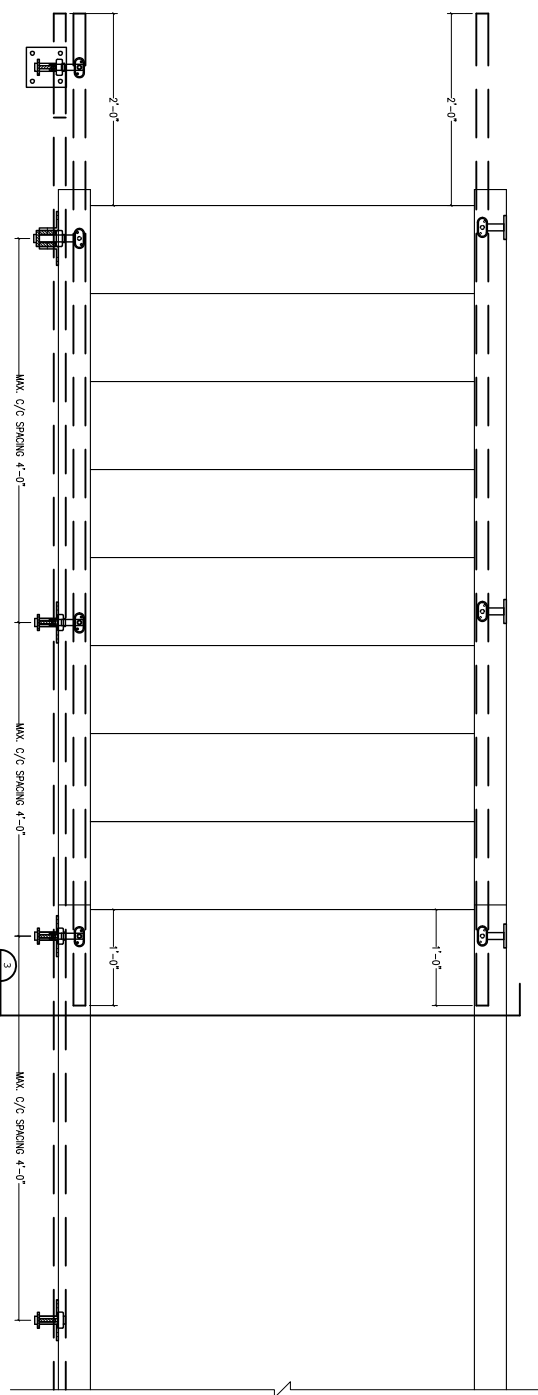
NO.	REVISION	DATE

APPROVED FOR FABRICATION	
SCALE	SCALE

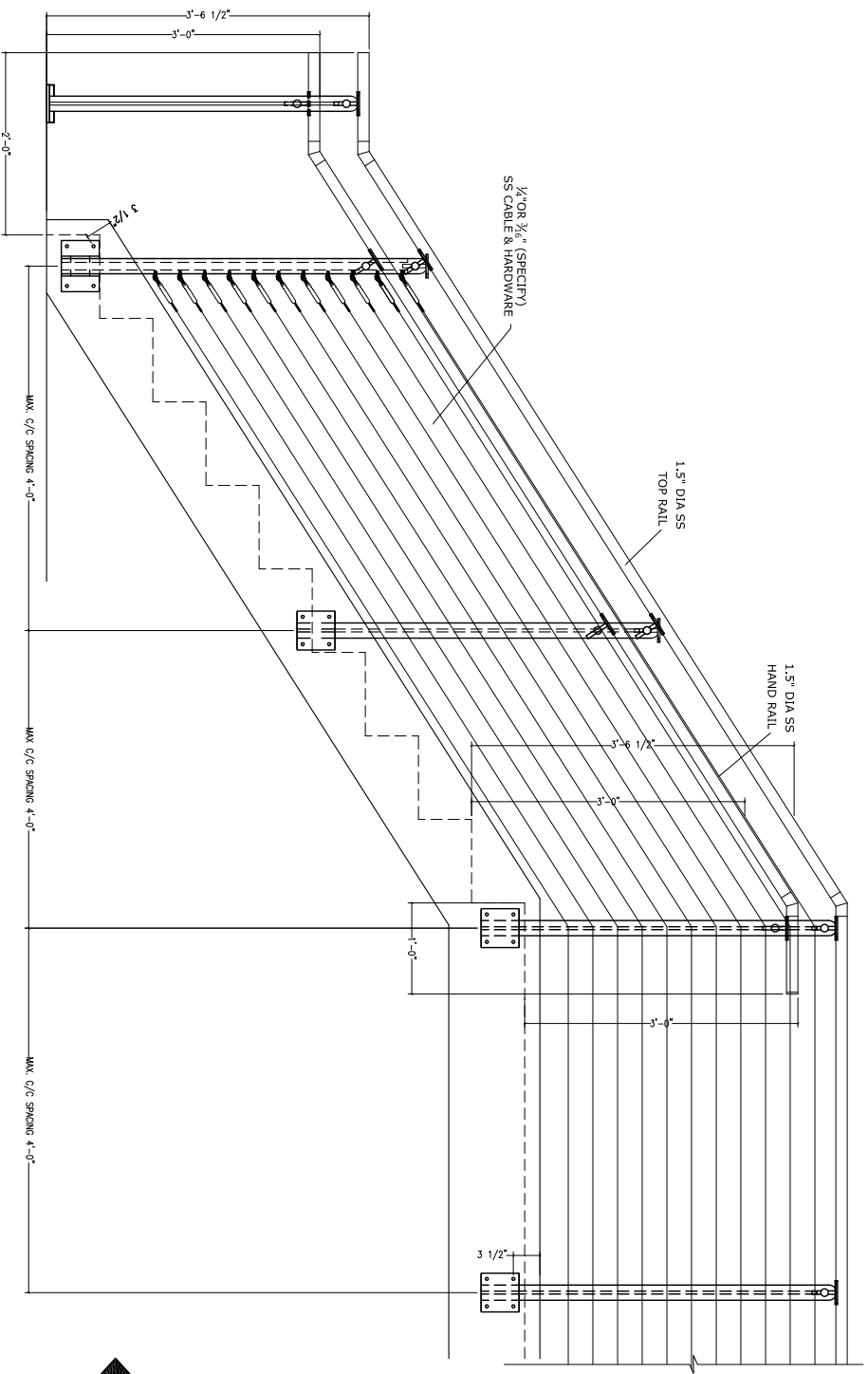
client: _____
 project: _____
 scale: 3/4" = 1'-0"
 submitted on: _____
 drawn by: _____
 checked by: _____
 drawing no.: TE-01

content: VIVA TEE CABLE RAILING SYSTEM

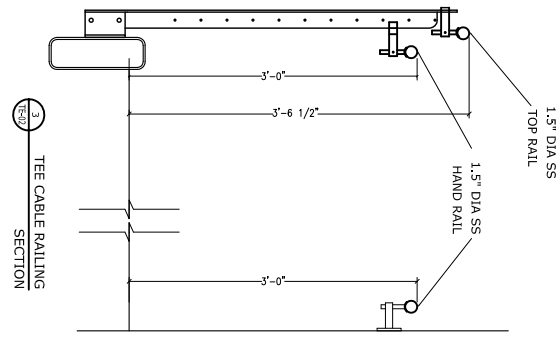
NO.	REVISION	DATE



TEE CABLE RAILING
 PLAN



2 TEE CABLE RAILING
 ELEVATION



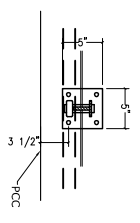
3 TEE CABLE RAILING
 SECTION

DATE	SCALE

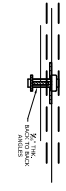
PROJECT: _____
 SCALE: 1/2" = 1'-0"
 SUBMITTED ON: _____
 CLIENT: _____
 CONTRACT: _____
 VIVA TEE CABLE RAILING SYSTEM

DESIGNED FOR FABRICATION
 DRAWN BY: _____
 CHECKED BY: _____
 DATE: _____
 DRAWING NO.: TE-02

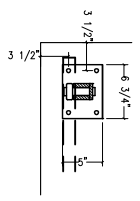
NO.	DATE	REVISIONS



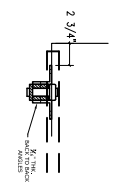
1 TEE INTERMEDIATE POST
 TOP MOUNTED PLAN



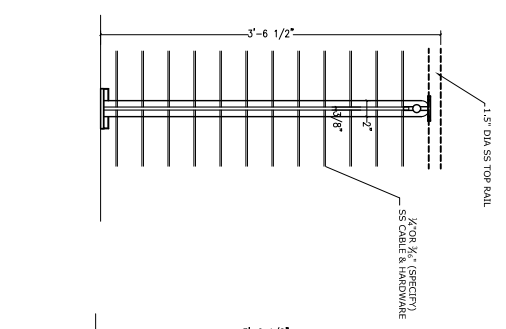
4 TEE INTERMEDIATE POST
 FASCIA MOUNTED PLAN



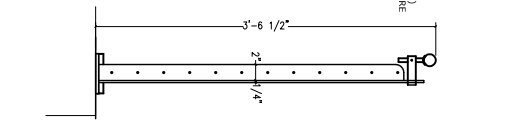
7 TEE TERMINATING POST
 TOP MOUNTED PLAN



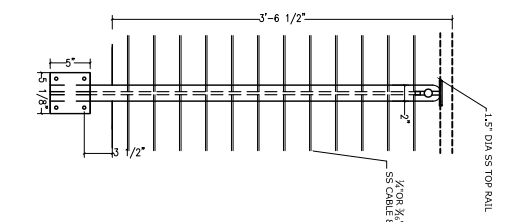
10 TEE TERMINATING POST
 FASCIA MOUNTED PLAN



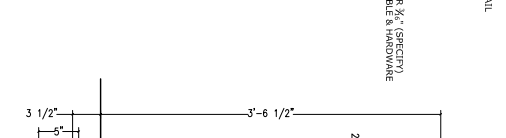
2 FRONT ELEVATION



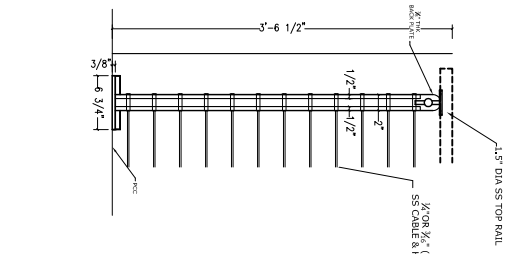
3 SIDE ELEVATION



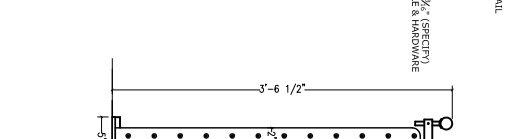
5 FRONT ELEVATION



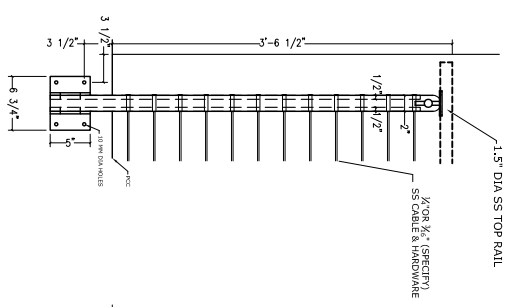
6 SIDE ELEVATION



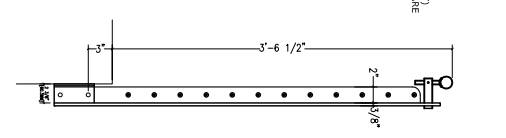
8 FRONT ELEVATION



9 SIDE ELEVATION



11 FRONT ELEVATION



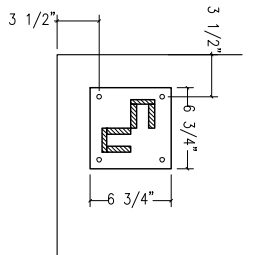
12 SIDE ELEVATION

REFER TE-04 FOR MORE OPTIONS

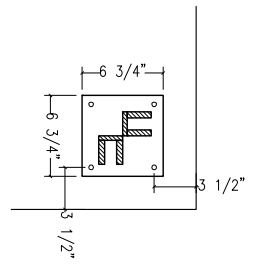
APPROVED FOR FABRICATION	
SCALE	AS SHOWN

PROJECT: _____
 SCALE: 1/2" = 1'-0"
 SUBMITTED ON: _____
 CLIENT: _____
 COMMENT: _____
 VIVA TEE CABLE RAILING SYSTEM

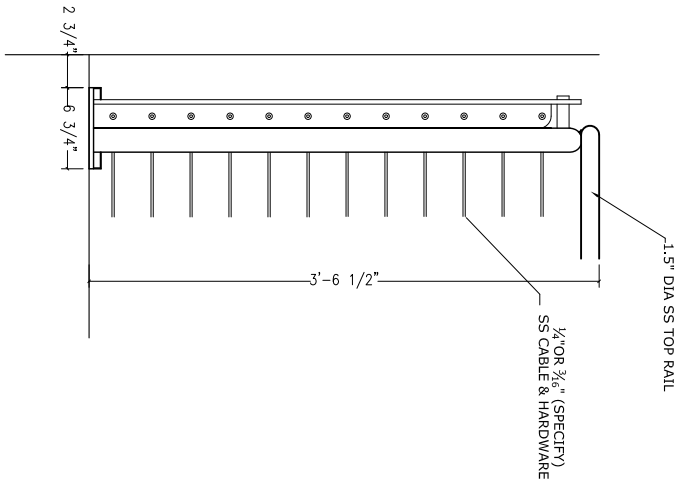
DESIGNED BY: _____
 CHECKED BY: _____
 DRAWING NO.: TE-03



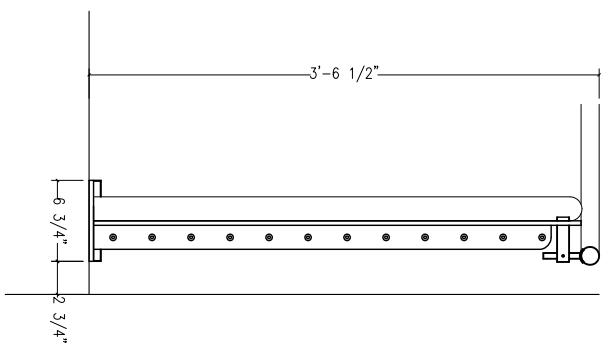
1
 TEE DOUBLE POST OUTSIDE CORNER
 PLAN



3
 TEE DOUBLE POST INSIDE CORNER
 PLAN



2
 TEE DOUBLE POST OUTSIDE CORNER
 ELEVATION



4
 TEE DOUBLE POST INSIDE CORNER
 ELEVATION

NO.	REVISIONS

APPROVED FOR FABRICATION	
SCALE	SCALE

content
 VIA TEE CABLE RAILING SYSTEM

client
 client

submittal on
 scale: 3/4" = 1'-0"

project
 project

drawn by
 checked by
 date:
 drawing no.