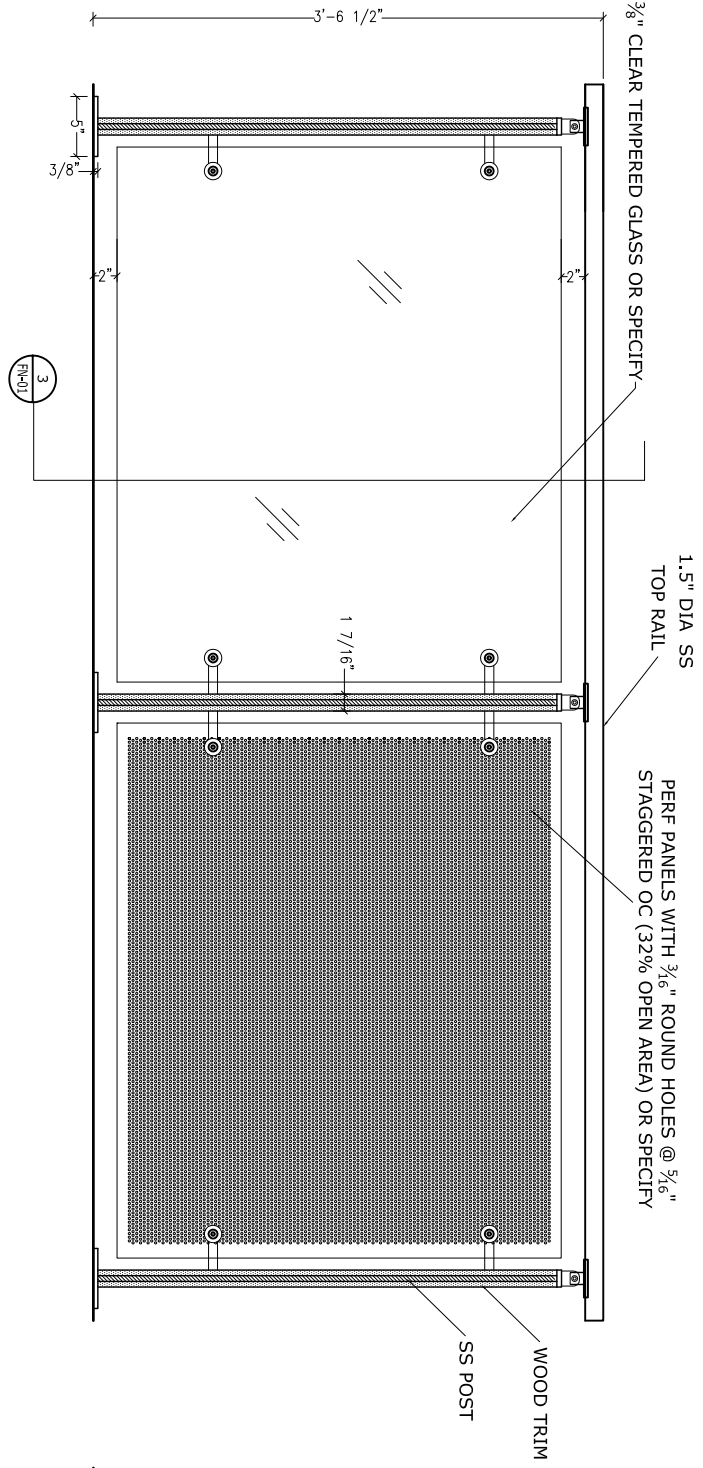
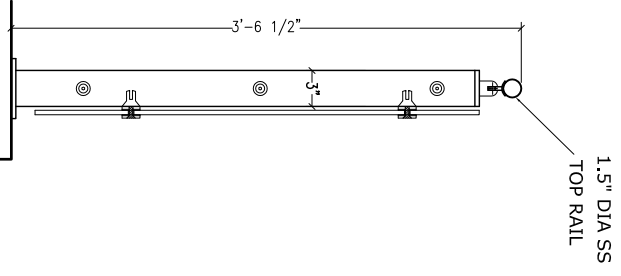


1
FN-01
FIN GLASS RAILING / PERF PANEL RAILING
PLAN



2
FN-01
FIN GLASS RAILING / PERF PANEL RAILING
ELEVATION



3
FN-01
SECTION

NO.	REVISION	DATE



VIVA ARCHITECTURAL
401 EAST 54th ST. SUITE 1121
MINNEAPOLIS, MN 55425
TEL: 612.338.8888
WWW.VIVARCHITECTURAL.COM

PROJECT: VIVA FIN GLASS RAILING SYSTEM
SCALE: 3/4" = 1'-0"
DATE: 08/20/2019
DRAWN BY: [Name]
CHECKED BY: [Name]
DATE: [Date]
PROJECT NO.: FN-01

SCALE	SCALE

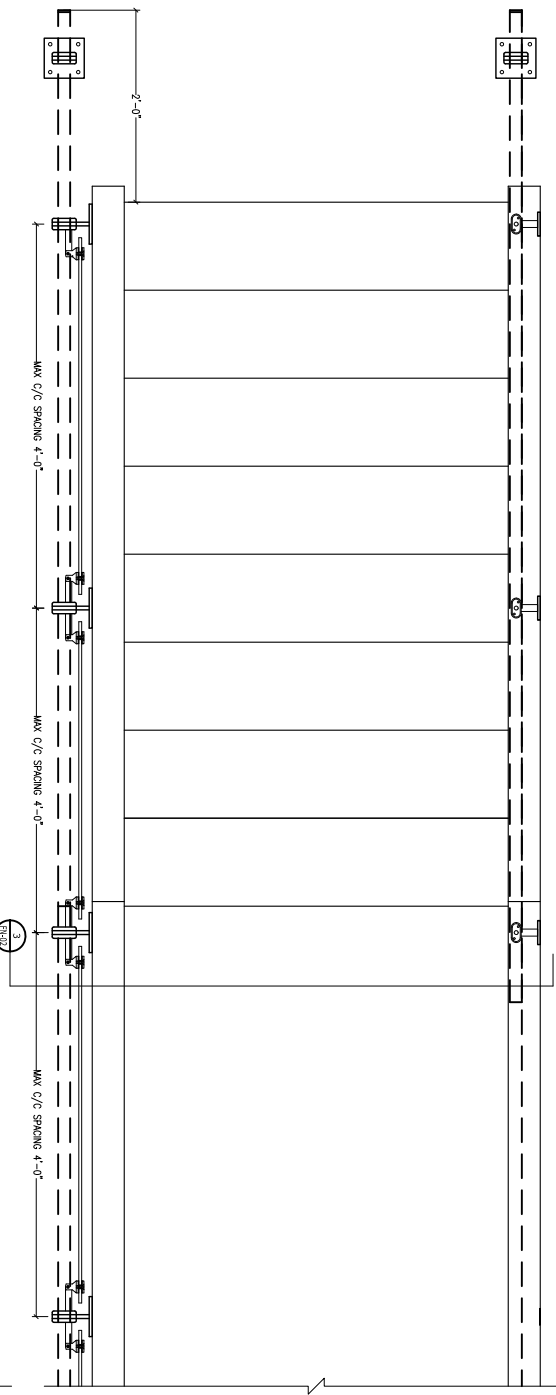
ALUMINUM CORNER FABRICATION
SCALE

NOTE:
REFER FN-03 FOR MOUNTING OPTIONS
REFER FN-04 FOR CORNER OPTIONS

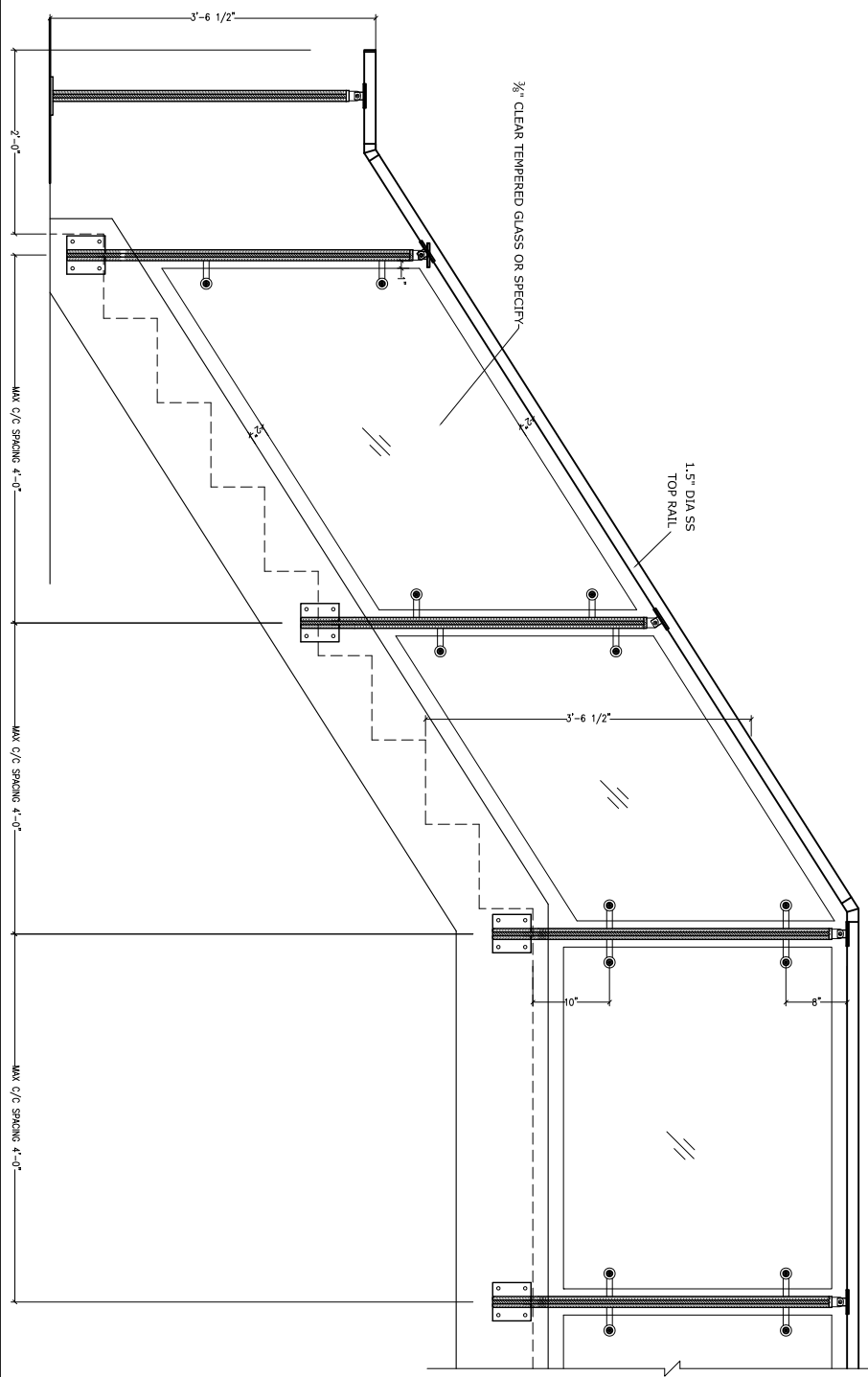
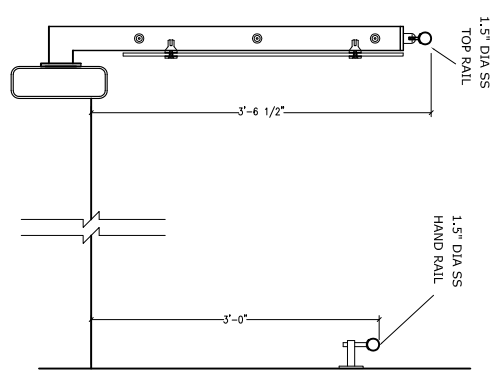
FN-01

NO.	REVISION	DATE

1 FIN GLASS RAILING-STAIR APPLICATION PLAN

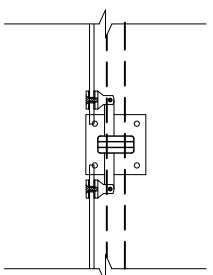


3 FIN GLASS RAILING SECTION

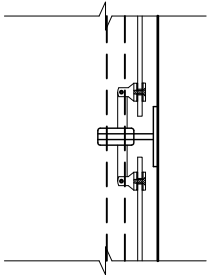


2 FIN GLASS RAILING-STAIR APPLICATION ELEVATION

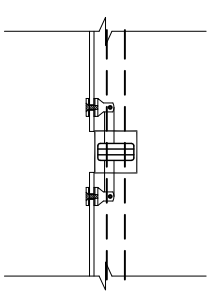
SCALE	SCALE
FINISH	



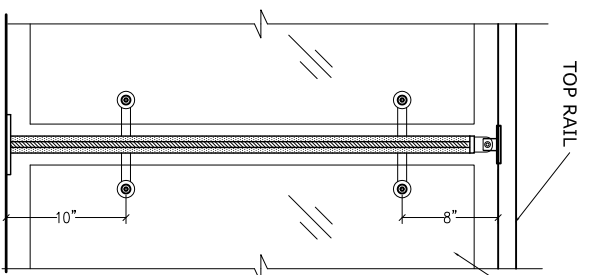
1 GLASS RAILING TOP MOUNTED PLAN
FN-03



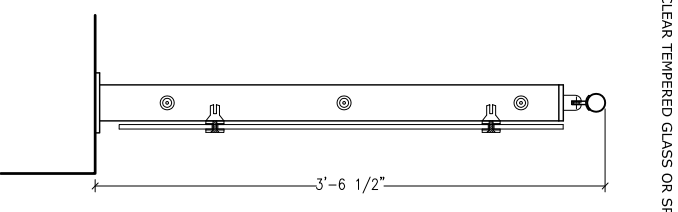
4 GLASS RAILING FASCIA MOUNTED PLAN
FN-03



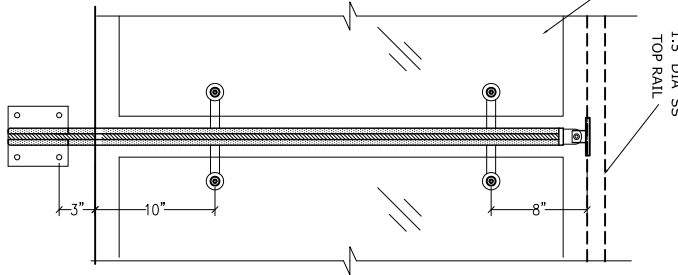
7 GLASS RAILING CORE MOUNTED PLAN
FN-03



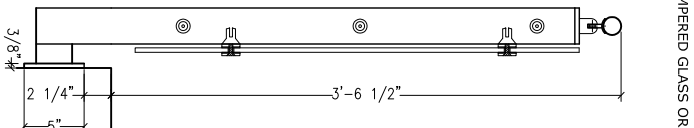
2 GLASS RAILING TOP MOUNTED ELEVATION
FN-03



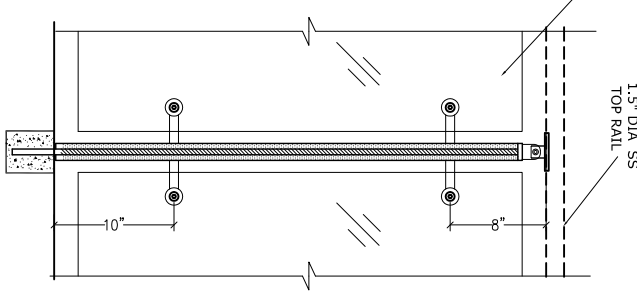
3 SIDE ELEVATION
FN-03



5 GLASS RAILING FASCIA MOUNTED ELEVATION
FN-03



6 SIDE ELEVATION
FN-03



8 GLASS RAILING CORE MOUNTED ELEVATION
FN-03

NO.	REVISION	DATE



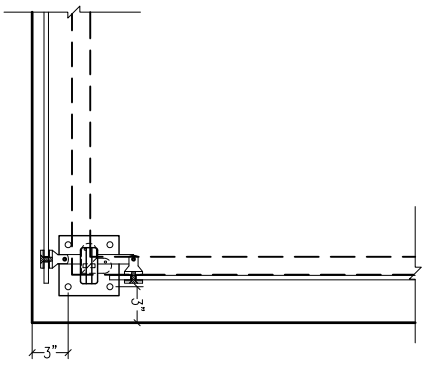
project: _____
 scale: 3/4" = 1'-0"
 submitted on: _____
 client: _____

content: _____
 VIVA RV GLASS RAILING SYSTEM
 drawn by: _____
 checked by: _____
 date: _____
 drawing no: _____

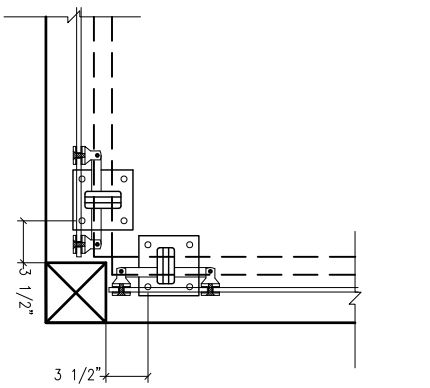
SCALE	3/4" = 1'-0"
SCALE	3/4" = 1'-0"

REFER FN-04 FOR MORE OPTIONS

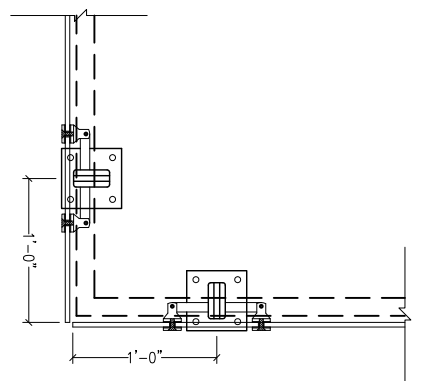
FN-03



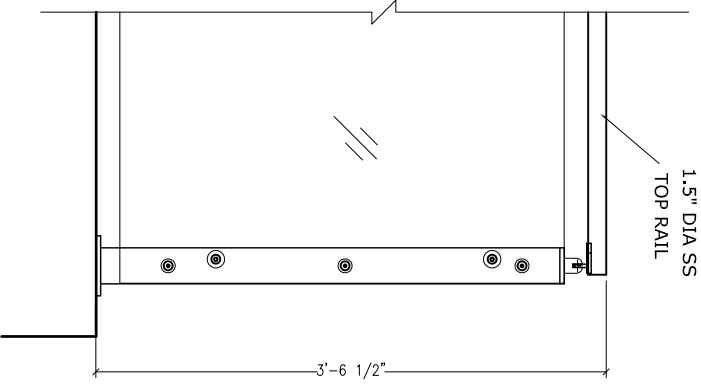
1
FN-04
FIN SINGLE POST CORNER
PLAN



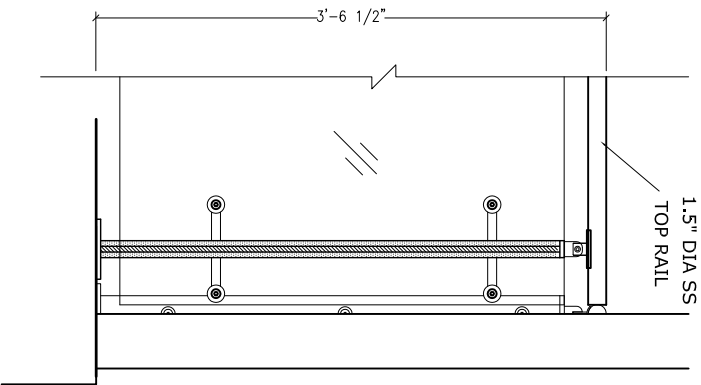
3
FN-04
FIN DOUBLE POST CORNER
PLAN



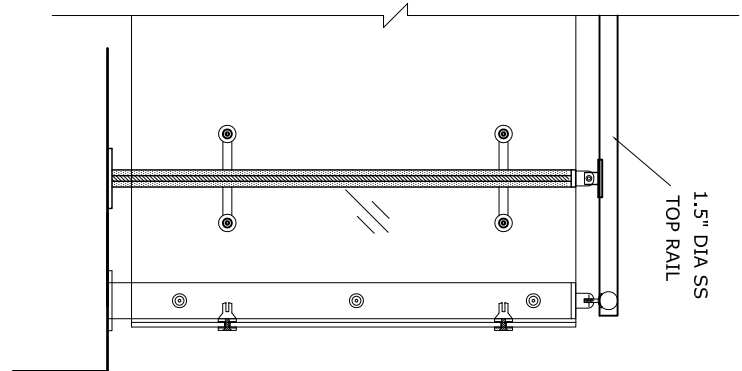
5
FN-04
FIN FLOATING GLASS CORNER
PLAN



2
FN-04
FIN SINGLE POST CORNER
ELEVATION



4
FN-04
FIN DOUBLE POST CORNER
ELEVATION



6
FN-04
FIN FLOATING GLASS CORNER
ELEVATION

NO.	REVISIONS	DATE



VVA ARCHITECTURAL
401 EAST 54th STREET
NEW YORK, NY 10022
TEL: 212-692-1100
WWW.VVAARCHITECTURAL.COM

project: _____
scale: 3/4" = 1'-0"
submitted on: _____
client: _____
content:
VIVA FIN GLASS RAILING SYSTEM

APPROVED FOR FABRICATION

DATE:	DATE:
-------	-------

drawn by: _____
checked by: _____
dated: _____
drawing no.: **FN-04**