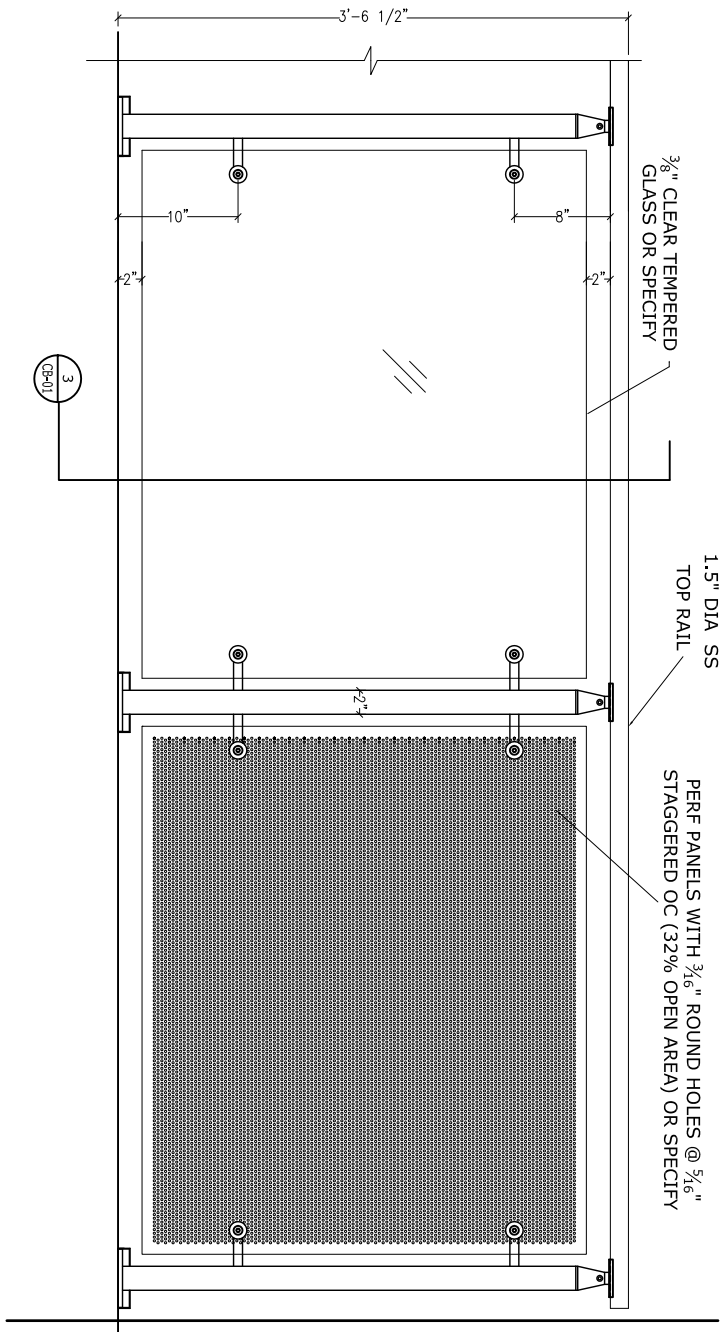
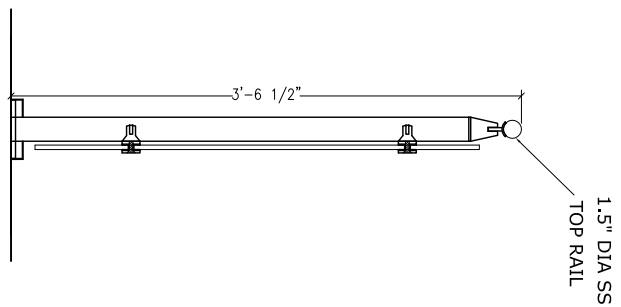


1 CUBE GLASS RAILING / PERF PANEL RAILING
PLAN



2 CUBE GLASS RAILING / PERF PANEL RAILING
ELEVATION



3 SECTION

NO.	REVISION	DATE

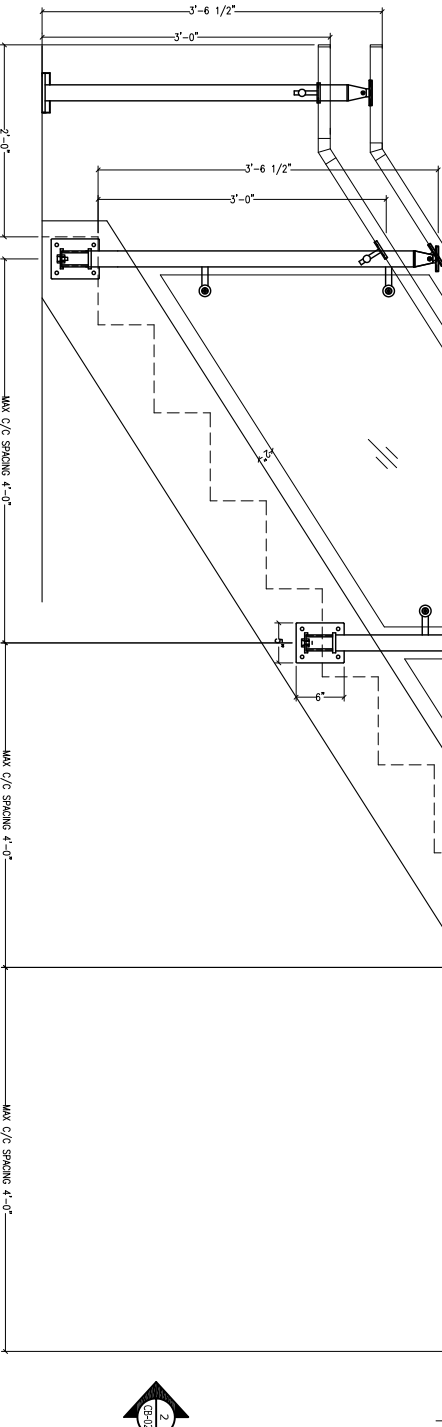
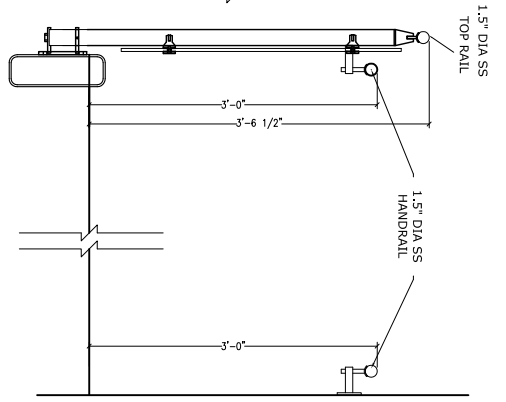
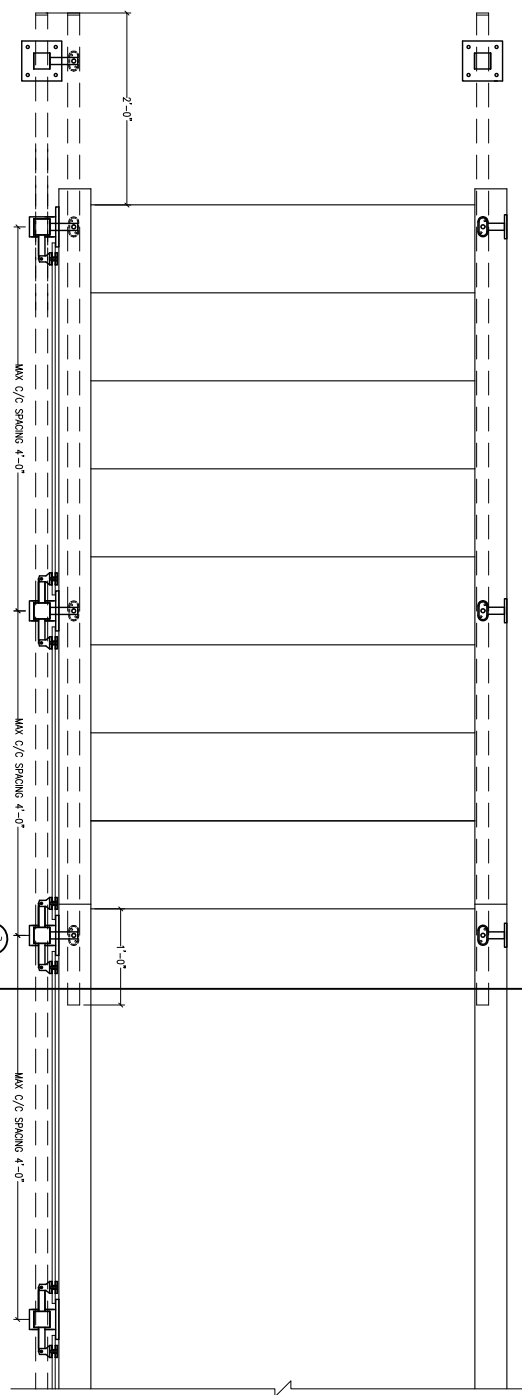


NOTE:
REFER CB-03 FOR MOUNTING OPTIONS
REFER CB-04 FOR CORNER OPTIONS

DATE	DESIGNED FOR FABRICATION

client: VMA ARCHITECTURAL
contract: VMA CUBE GLASS RAILING SYSTEM
project:
scale: 3/4" = 1'-0"
submitted on:
date:
checked by:
drawn by:
drawing no.: CB-01

NO.	REVISIONS	DATE



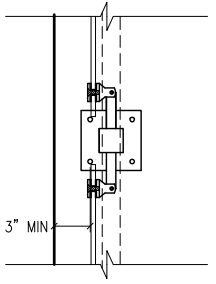
DATE	SCALE



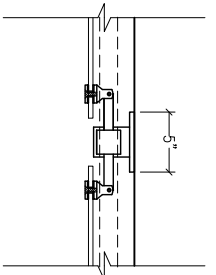
CUBE GLASS RAILING - STAIR APPLICATION
 ELEVATION

PROJECT: _____
 SCALE: 1/2" = 1'-0"
 SUBMITTED ON: _____
 CLIENT: _____
 CONTRACT: VVA CUBE GLASS RAILING SYSTEM

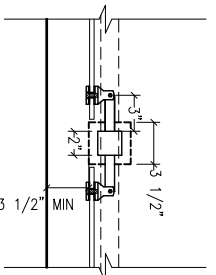
DESIGN NO.: CB-02



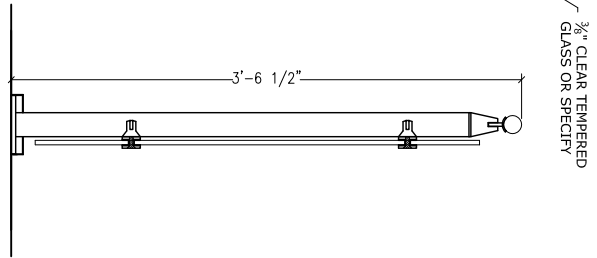
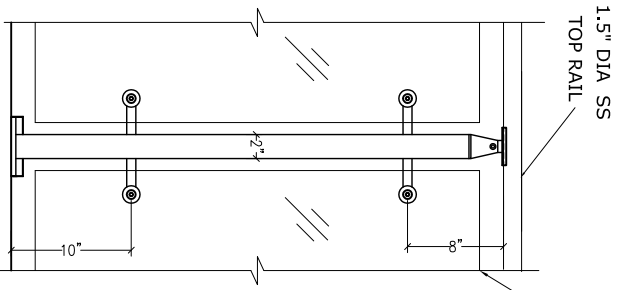
1
CB-03
GLASS RAILING TOP MOUNTED
PLAN



4
CB-03
GLASS RAILING FASCIA MOUNTED
PLAN

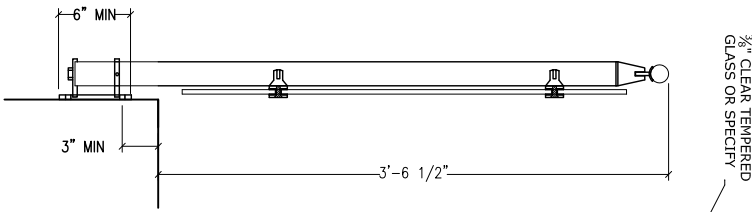
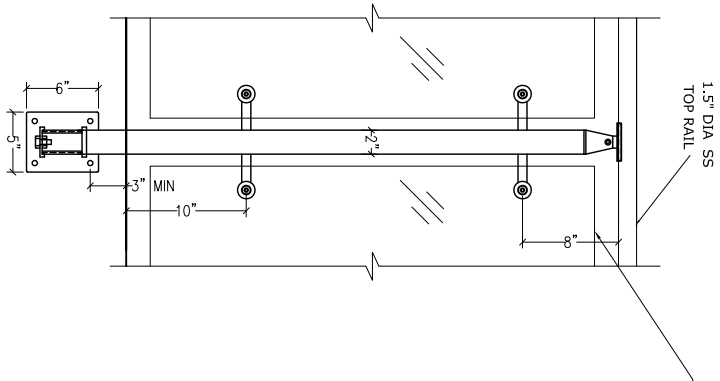


7
CB-03
GLASS RAILING CORE MOUNTED
PLAN



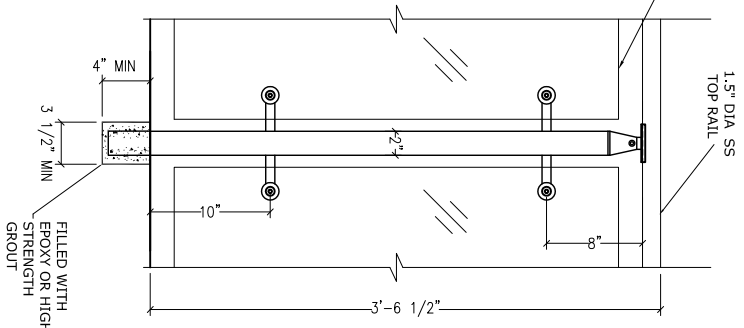
2
CB-03
GLASS RAILING TOP MOUNTED
ELEVATION

3
CB-03
SIDE ELEVATION



5
CB-03
GLASS RAILING FASCIA MOUNTED
ELEVATION

6
CB-03
SIDE ELEVATION



8
CB-03
GLASS RAILING CORE MOUNTED
ELEV

NO.	REVISIONS



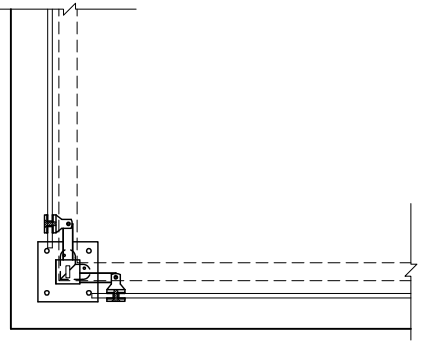
content
 VMA CUBE GLASS RAILING SYSTEM
 project
 scale: 3/4" = 1'-0"
 submitted on:
 date:
 drawing no.

DATE	SCALE

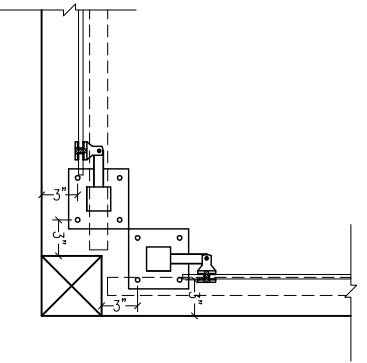
drawn by:
 checked by:
 approved by:
 drawing no.

REFER CB-04 FOR MORE OPTIONS

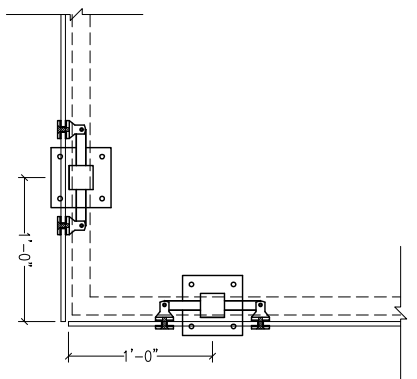
CB-03



1
CB-04
CUBE SINGLE POST CORNER
PLAN

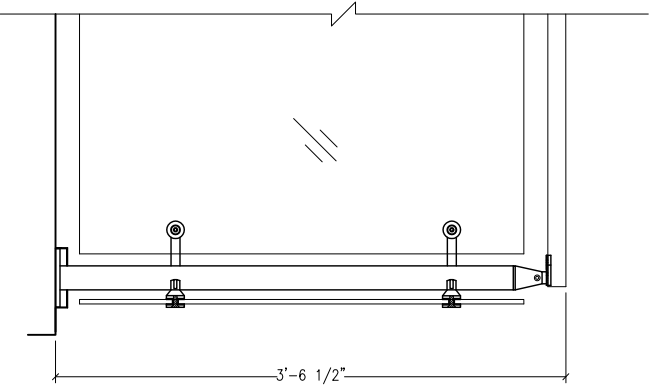


3
CB-04
CUBE DOUBLE POST CORNER
PLAN

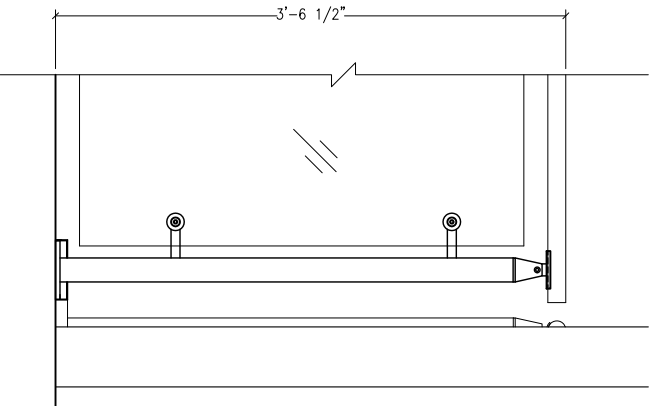


5
CB-04
CUBE FLOATING GLASS CORNER
PLAN

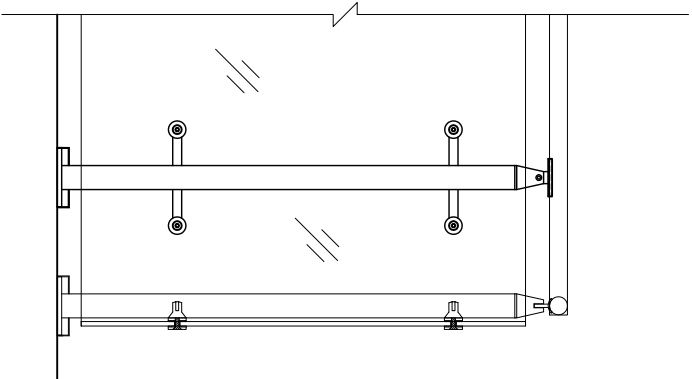
NO.	REVISION	DATE



2
CB-04
CUBE SINGLE POST CORNER
ELEVATION



4
CB-04
CUBE DOUBLE POST CORNER
ELEVATION



6
CB-04
CUBE FLOATING GLASS CORNER
ELEVATION

SCALE	AS SHOWN FOR FABRICATION
DATE	

client:
 project:
 scale: 3/4" = 1'-0"
 submitted on:
 content:
 VINA CUBE GLASS RAILING SYSTEM

drawn by:
 checked by:
 date:
 drawing no.:
CB-04

