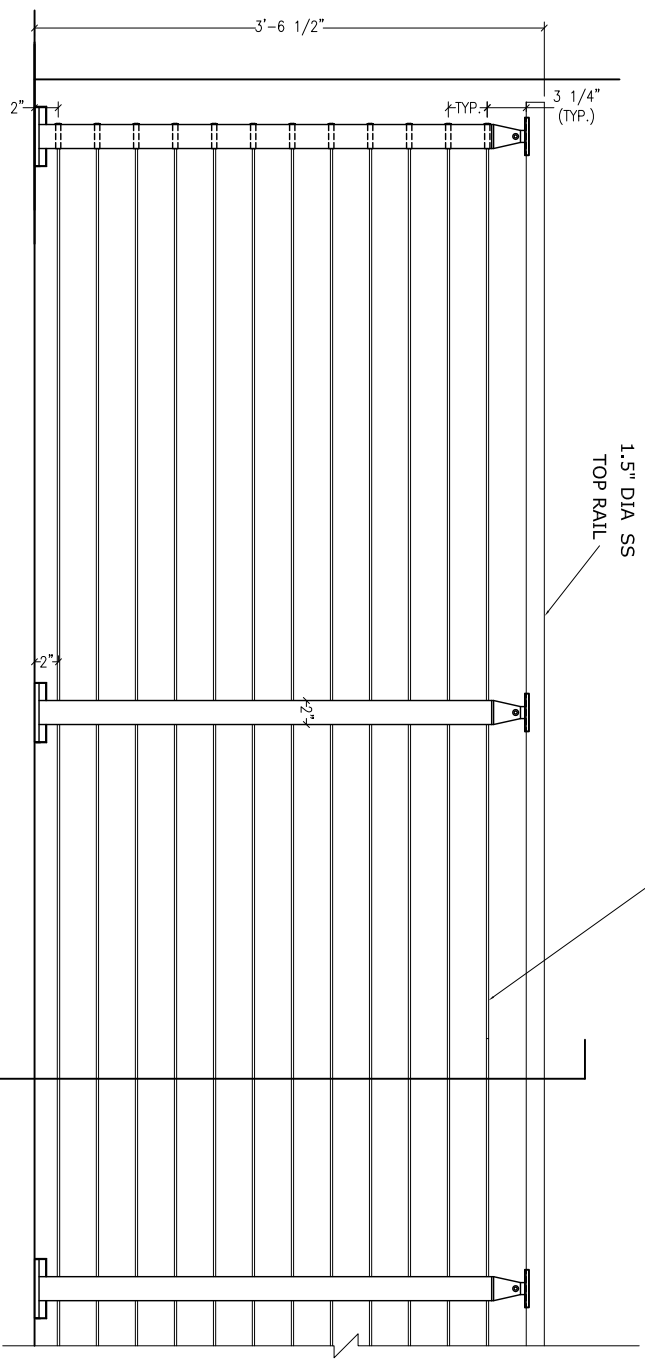
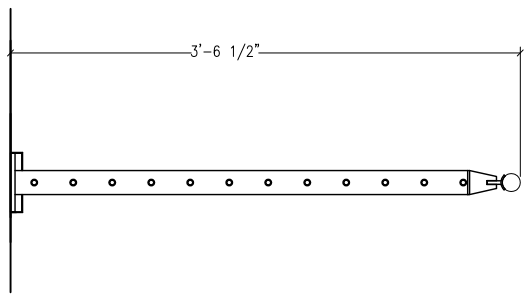


1 CUBE CABLE RAILING
 PLAN
 CB-05



2 CUBE CABLE RAILING
 ELEVATION
 CB-05



3 SECTION
 CB-05

NOTE:
 REFER CB-07 FOR MOUNTING OPTIONS
 REFER CB-08 FOR CORNER OPTIONS

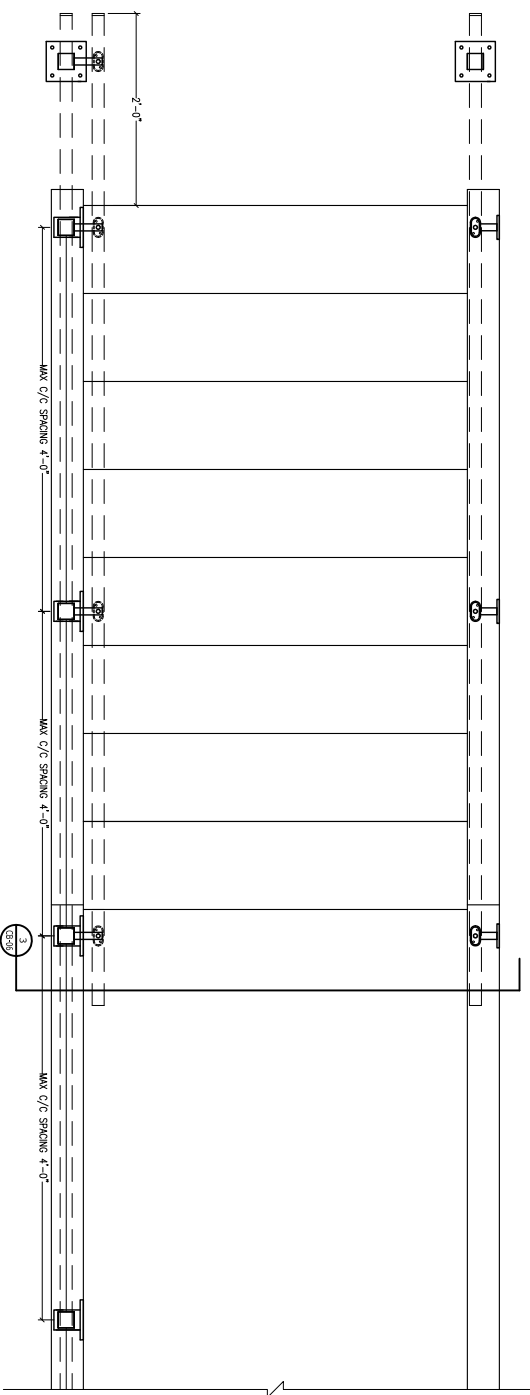
NO.	REVISION	DATE

APPROVED FOR FABRICATION	
DATE	SCALE

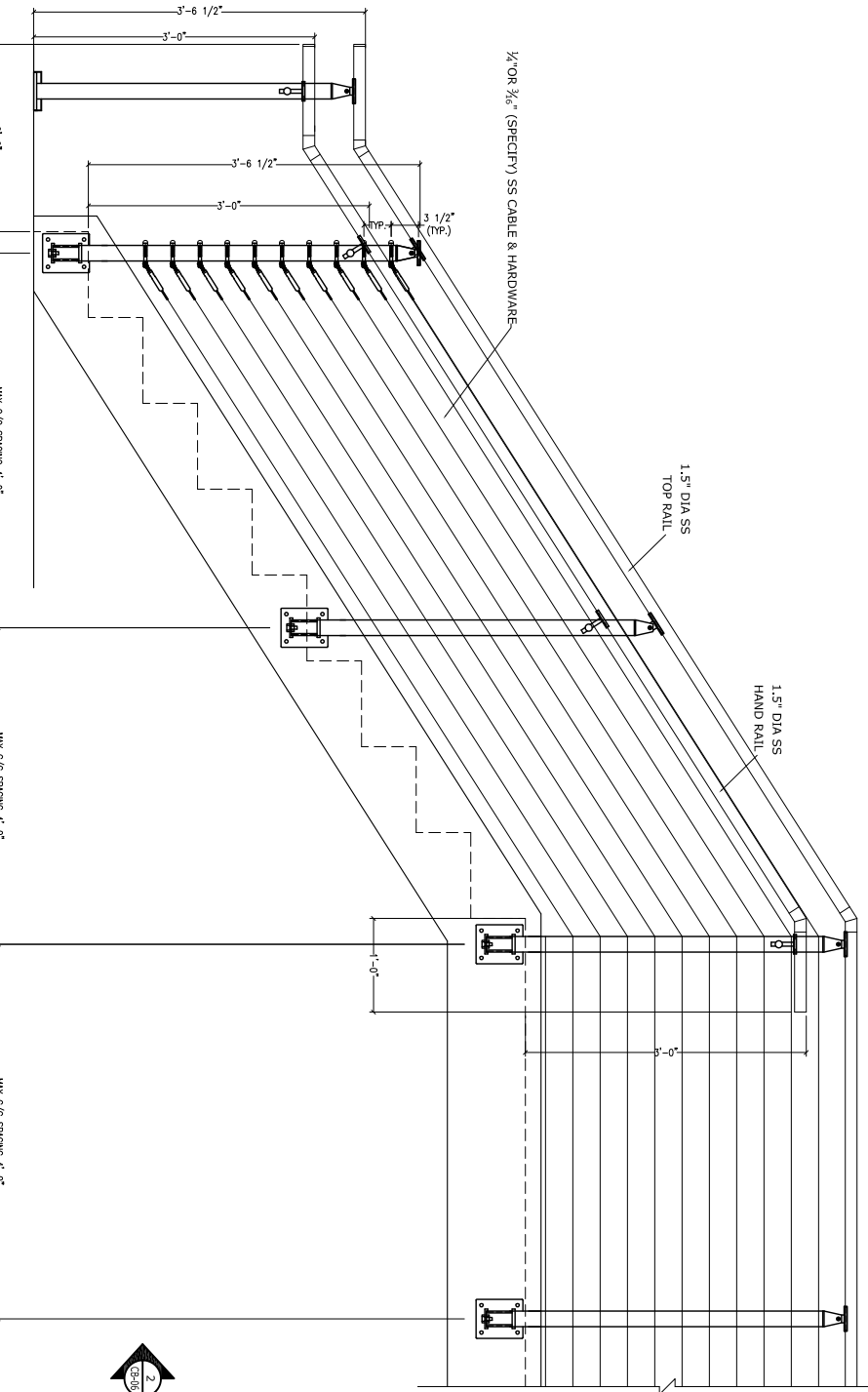
project: _____
 scale: 3/4" = 1'-0"
 submitted on: _____
 client: _____
 content: _____
 VMA CUBE CABLE RAILING SYSTEM

drawn by: _____
 checked by: _____
 drawing no.: CB-05

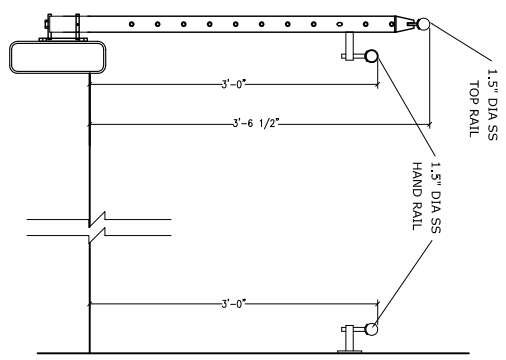
NO.	REVISION	DATE



1 CUBE CABLE RAILING - STAIR APPLICATION
 PLAN



2 CUBE CABLE RAILING - STAIR APPLICATION
 ELEVATION



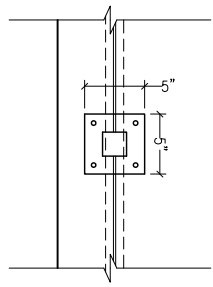
2 CUBE CABLE RAILING
 SECTION

DATE	SCALE

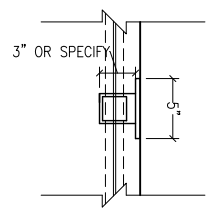
project: _____
 scale: 1/2" = 1'-0"
 submitted on: _____
 client: _____
 contact: _____
 VIA CUBE CABLE RAILING SYSTEM

drawn by: _____
 checked by: _____
 drawing no.: **CB-06**

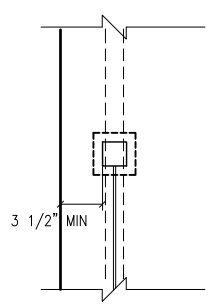
APPROVED FOR FABRICATION



1
 CB-07
 CABLE RAILING TOP MOUNTED
 PLAN

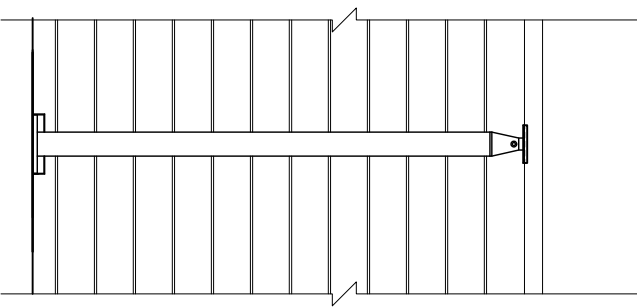


4
 CB-07
 CABLE RAILING FASCIA MOUNTED
 PLAN

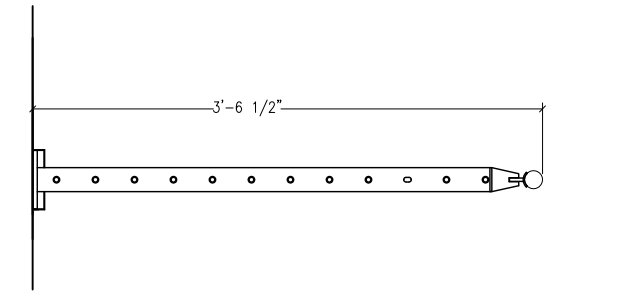


7
 CB-07
 CABLE RAILING CORE MOUNTED
 PLAN

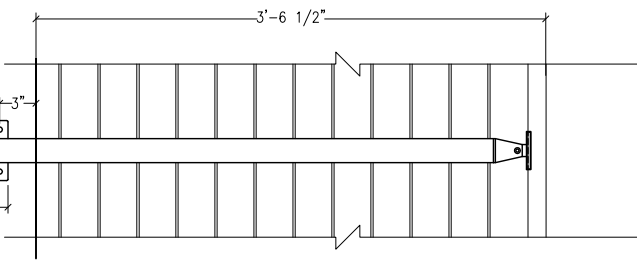
NO.	REVISION	DATE



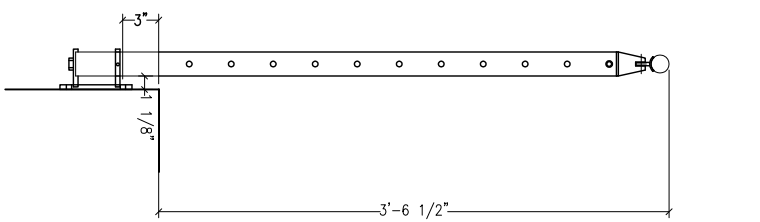
2
 CB-07
 CABLE RAILING TOP MOUNTED
 ELEVATION



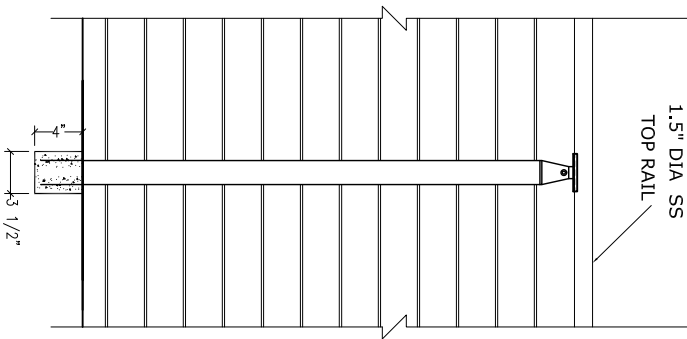
3
 CB-07
 SIDE ELEVATION



5
 CB-07
 CABLE RAILING FASCIA MOUNTED
 ELEVATION



6
 CB-07
 SECTION



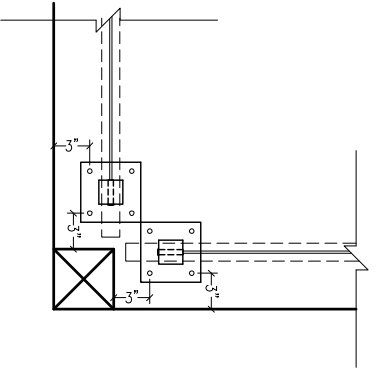
8
 CB-07
 CABLE RAILING CORE MOUNTED
 ELEVATION

NOTE:
 REFER CB-08 FOR CORNER OPTIONS

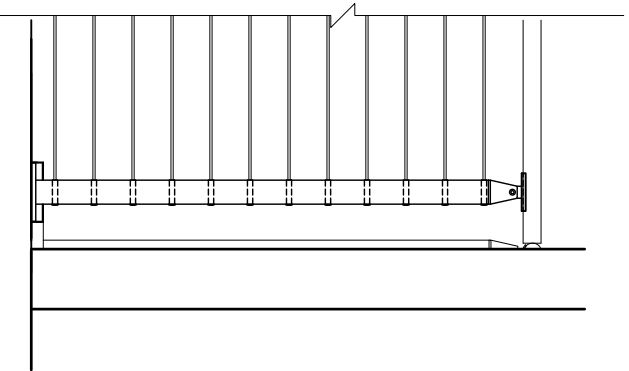
DATE	SCALE

PROJECT
 SCALE: 3/4" = 1'-0"
 SUBMITTED ON:
 CLIENT:
 CONTRACT
 VMA CORE CABLE RAILING SYSTEM

DESIGN BY:
 CHECKED BY:
 DRAWING NO.:
 CB-07



1
CB-08
CUBE DOUBLE POST CORNER
PLAN



2
CB-08
CUBE DOUBLE POST CORNER
ELEVATION



3
CB-08
WALL MOUNTED HAND RAIL BRACKET
FRONT ELEVATION



4
CB-08
WALL MOUNTED HAND RAIL BRACKET
PLAN



5
CB-08
WALL MOUNTED HAND RAIL BRACKET
SIDE ELEVATION

NO.	REVISIONS



project: _____
 scale: 3/4" = 1'-0"
 submitted on: _____
 client: _____
 content: _____
 VMA CUBE CABLE RAILING SYSTEM

APPROVED FOR FABRICATION	
DATE: _____	SIGN: _____

drawn by: _____
 checked by: _____
 date: _____
 drawing no.: **CB-08**