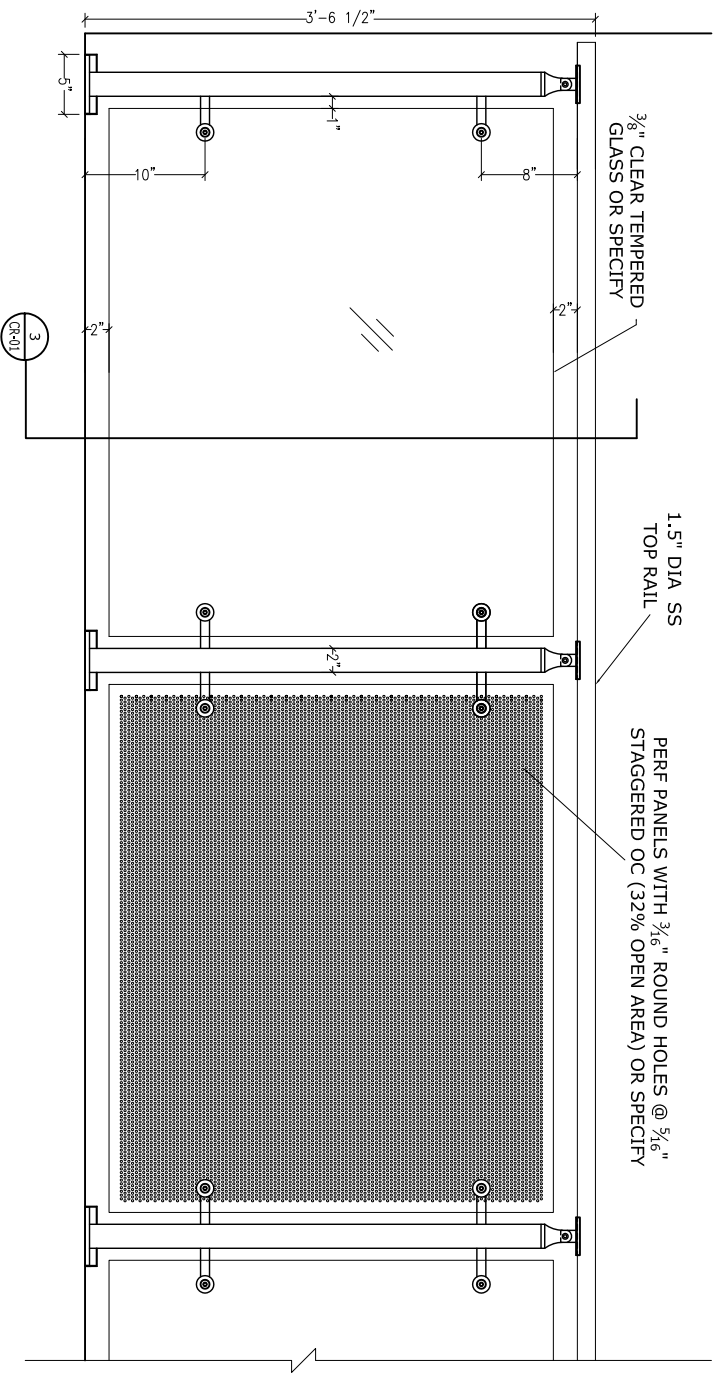
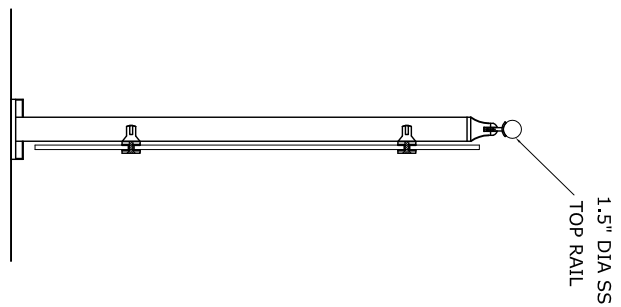


1
CR-01
CIRCA GLASS RAILING / PERF PANEL RAILING
PLAN



2
CR-01
CIRCA GLASS RAILING / PERF PANEL RAILING
ELEVATION



3
CR-01
SECTION

NOTE:
REFER CR-03 FOR MOUNTING OPTIONS
REFER CR-04 FOR CORNER OPTIONS

NO.	REVISION	DATE

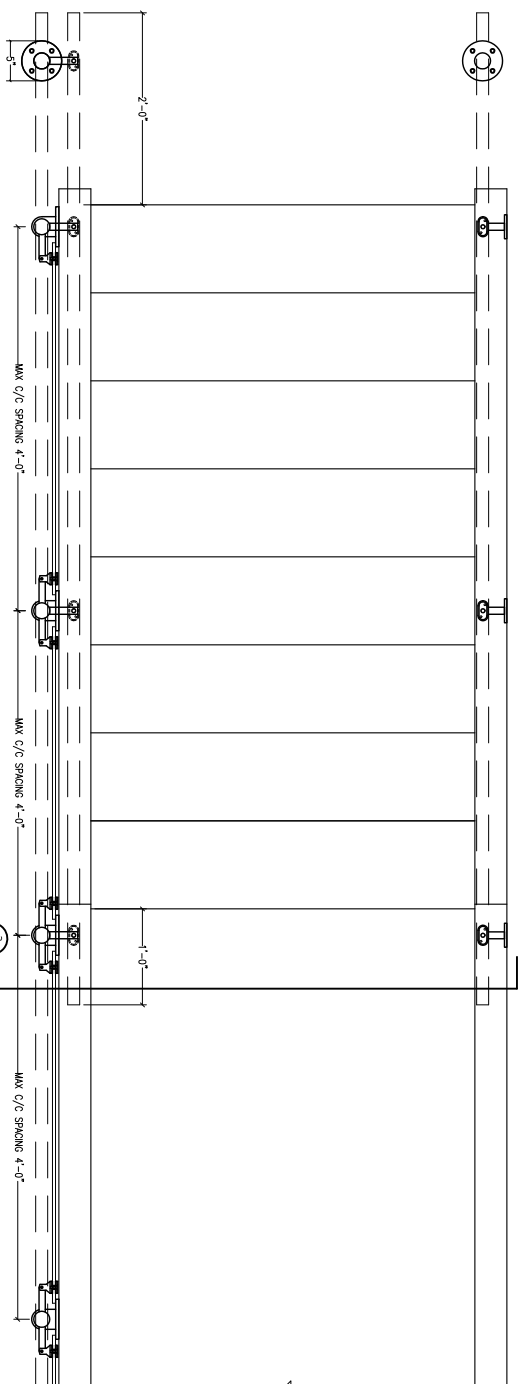


APPROVED FOR FABRICATION	
SCALE	AS SHOWN

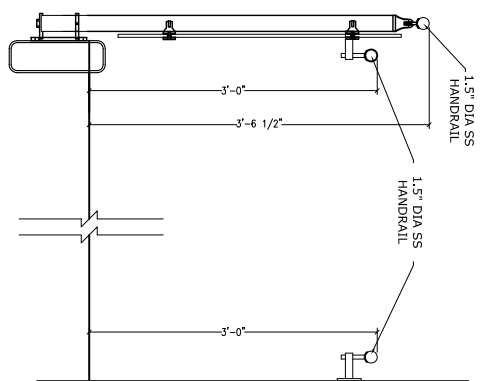
drawn by: _____
checked by: _____
drawing no.: CR-01

project: _____
scale: 3/4" = 1'-0"
submitted on: _____
client: _____
contract: _____
VMA CIRCA GLASS RAILING SYSTEM

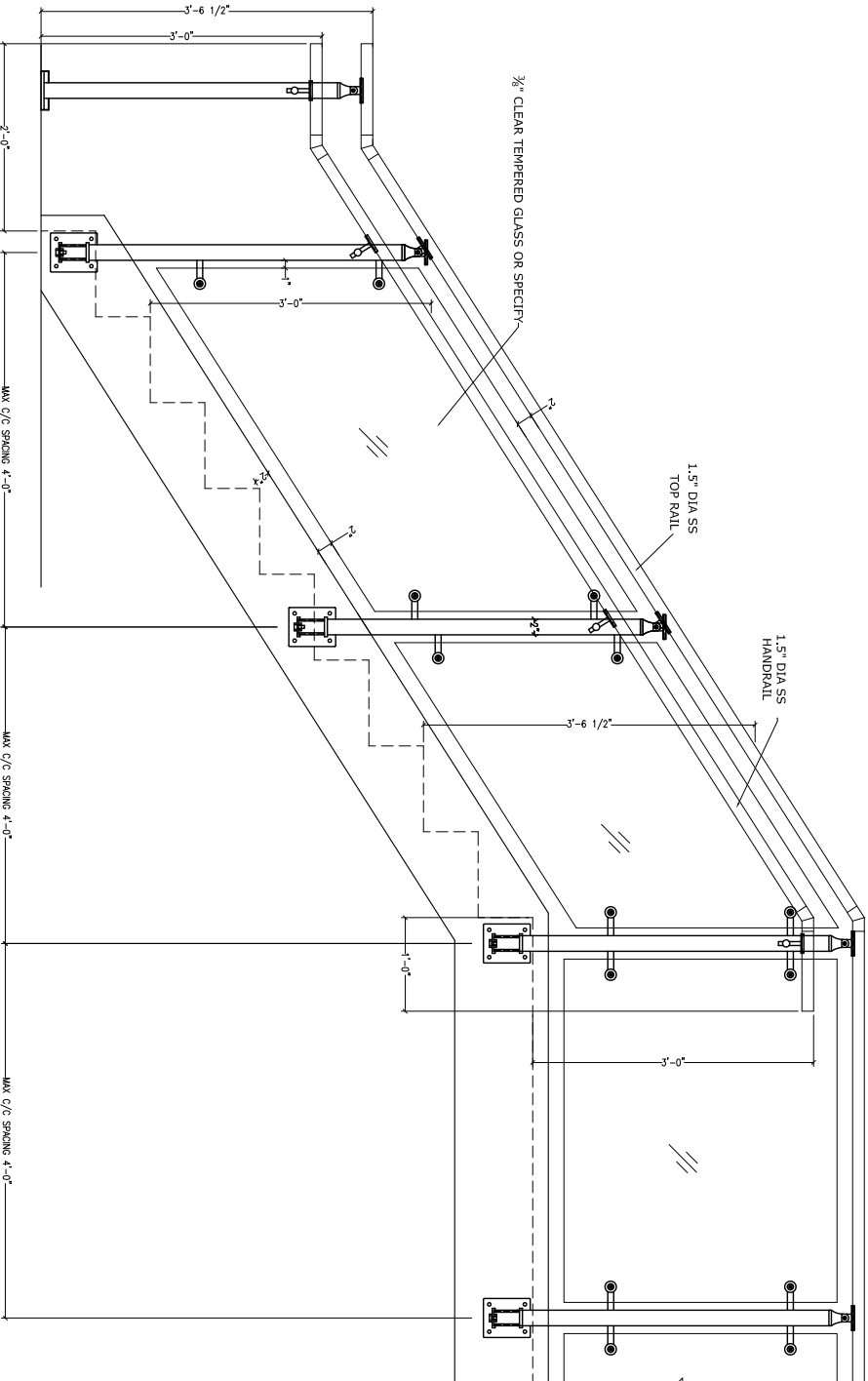
NO.	REVISION	DATE



1 CIRCA GLASS RAILING-STAIR APPLICATION PLAN



2 CIRCA GLASS RAILING SECTION

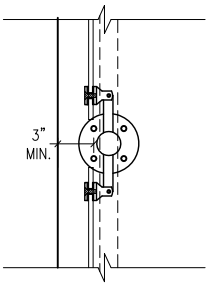


APPROVED FOR FABRICATION	
DATE	SIGNATURE

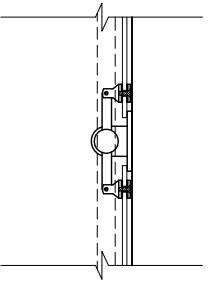
2 CIRCA GLASS RAILING-STAIR APPLICATION ELEVATION

project: _____
 scale: 1/2" = 1'-0"
 submitted on: _____
 client: _____
 contract: _____
 VVA CIRCA GLASS RAILING SYSTEM

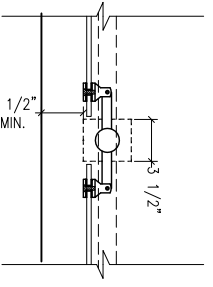
drawn by: _____
 checked by: _____
 date: _____
 drawing no.: **CR-02**



1
 CR-03
 GLASS RAILING TOP MOUNTED
 PLAN

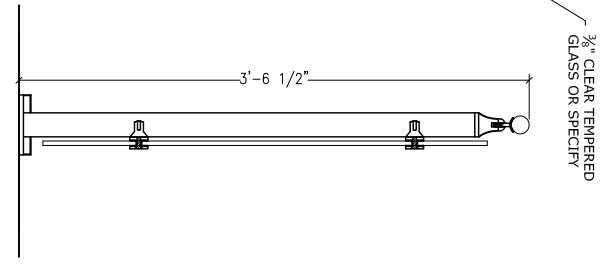
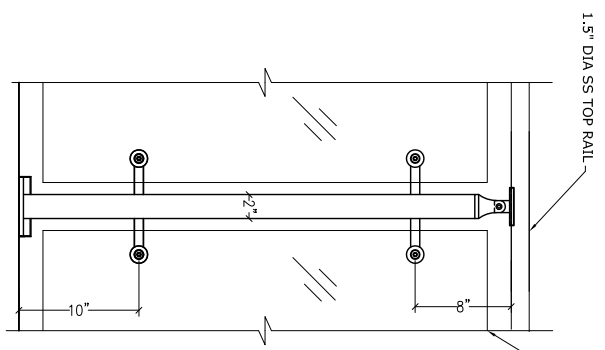


4
 CR-03
 GLASS RAILING FASCIA MOUNTED
 PLAN



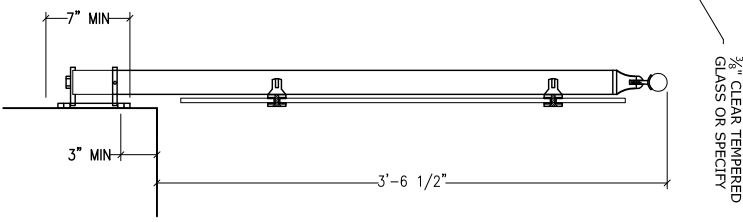
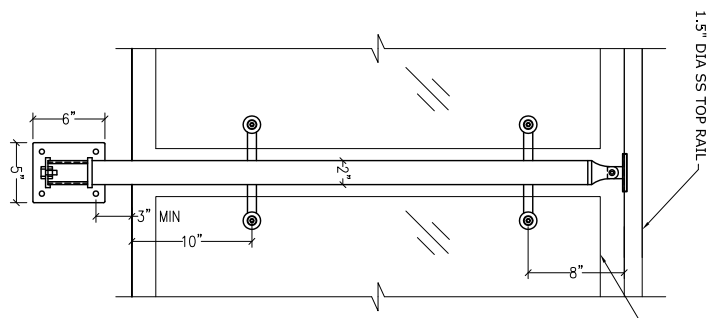
7
 CR-03
 GLASS RAILING CORE MOUNTED
 PLAN

NO.	REVISIONS



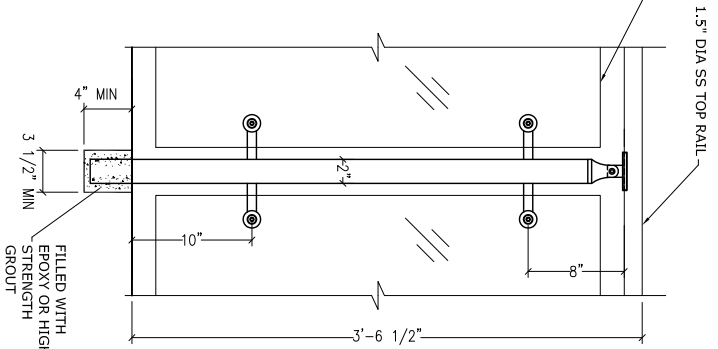
2
 CR-03
 GLASS RAILING TOP MOUNTED
 ELEVATION

3
 CR-03
 SIDE ELEVATION



5
 CR-03
 GLASS RAILING FASCIA MOUNTED
 ELEVATION

6
 CR-03
 SIDE ELEVATION



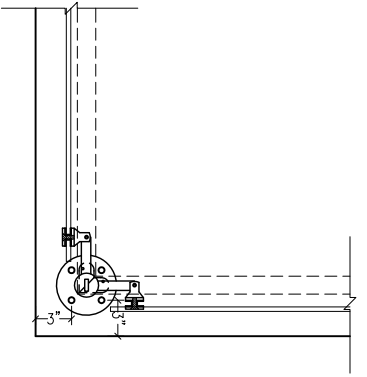
8
 CR-03
 GLASS RAILING CORE MOUNTED
 ELEVATION

REFER CR-04 FOR MORE OPTIONS

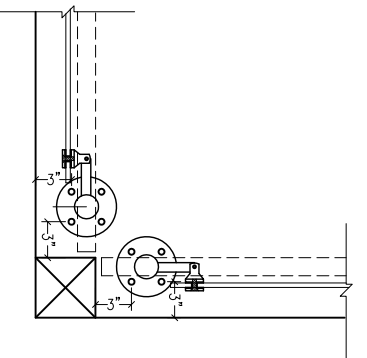
DATE	APPROVED FOR FABRICATION

project: _____
 scale: 3/4" = 1'-0"
 submitted on: _____
 client: _____
 content: VIA ARCHITECTURAL
 VIA CORE GLASS RAILING SYSTEM

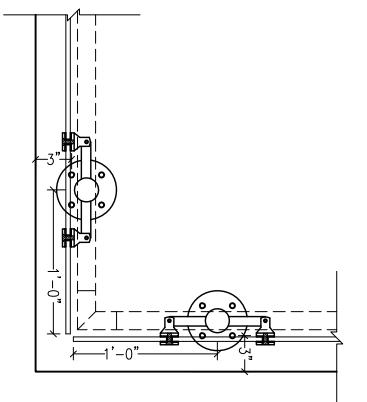
drawing no. CR-03
 checked by: _____
 date: _____
 drawn by: _____



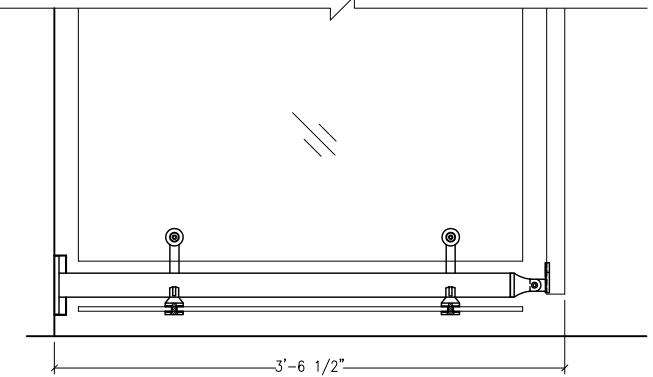
1
CR-04
CIRCA SINGLE POST CORNER
PLAN



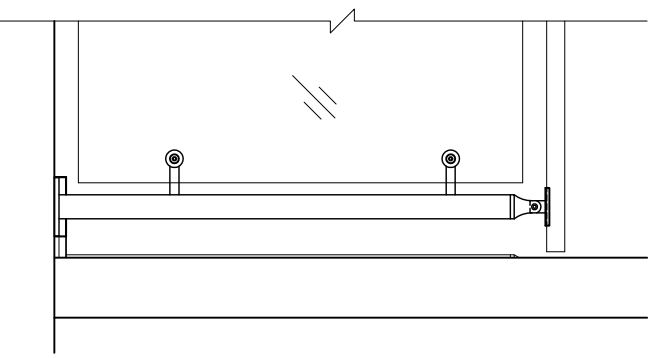
3
CR-04
CIRCA DOUBLE POST CORNER
PLAN



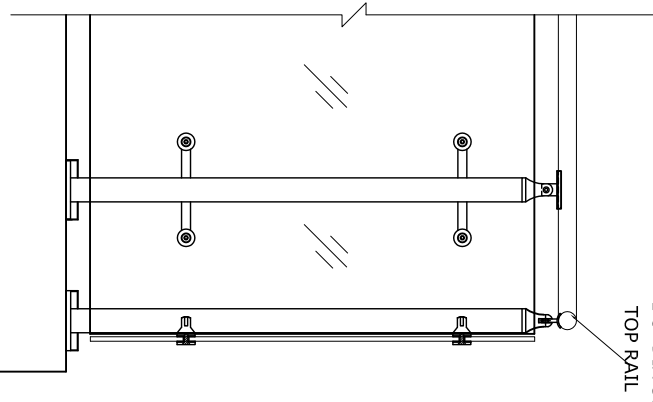
5
CR-04
CIRCA FLOATING GLASS CORNER
PLAN



2
CR-04
CIRCA SINGLE POST CORNER
ELEVATION



4
CR-04
CIRCA DOUBLE POST CORNER
ELEVATION



6
CR-04
CIRCA FLOATING GLASS CORNER
ELEVATION

NO.	REVISIONS	DATE



APPROVED FOR FABRICATION	
DATE	SCALE

client:
 architect:
 drawn by:
 checked by:
 drawing no:

content:
 VMA CIRCA GLASS RAILING SYSTEM
 project:
 scale: 3/4" = 1'-0"
 submitted on:
 client:

CR-04