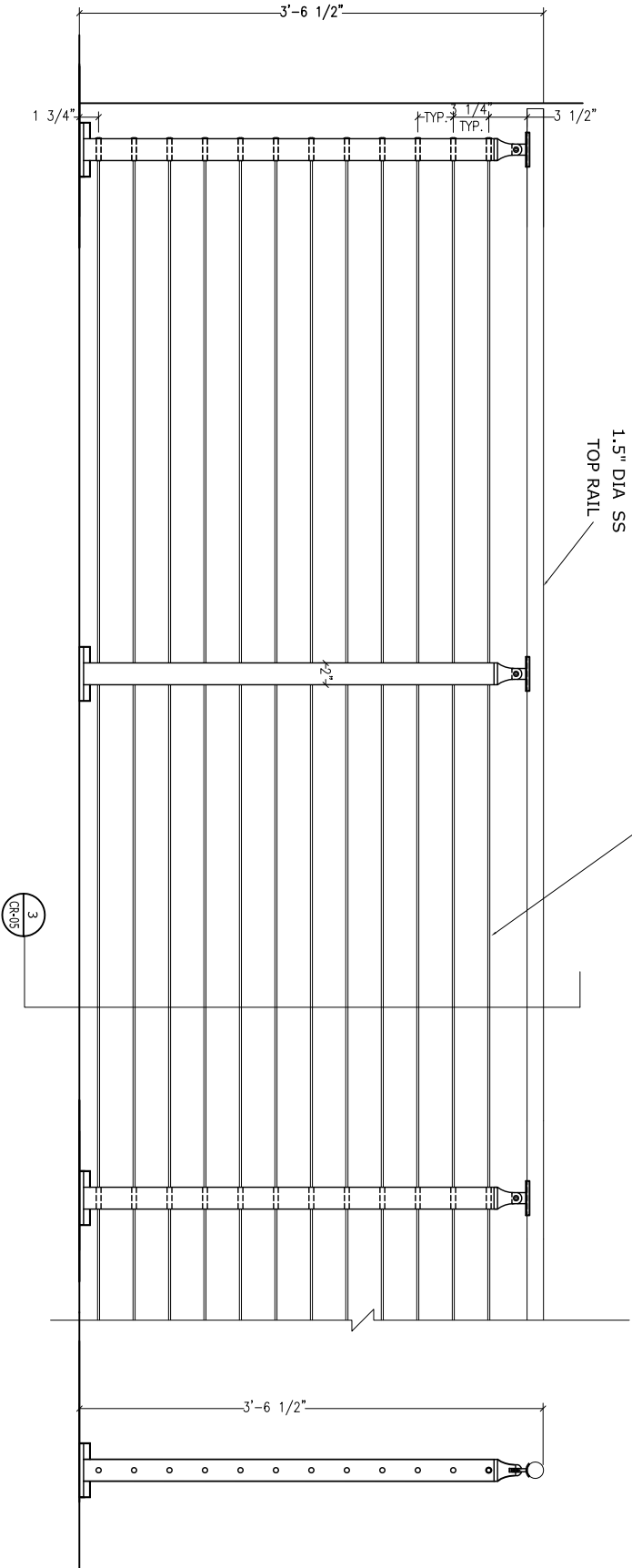


1 CIRCA CABLE RAILING  
 PLAN

NO.	REVISION	DATE



2 CIRCA CABLE RAILING  
 ELEVATION

3 SECTION

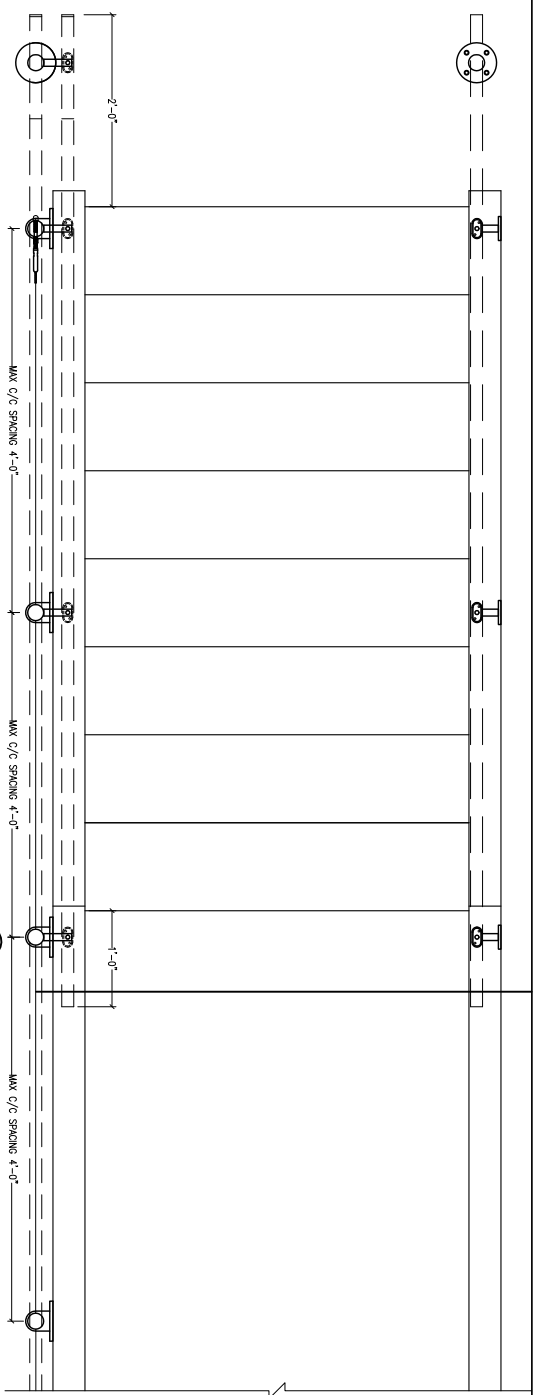
APPROVED FOR FABRICATION	
DATE	SCALE

project: \_\_\_\_\_  
 scale: 3/4" = 1'-0"  
 submitted on: \_\_\_\_\_  
 client: \_\_\_\_\_  
 contract: \_\_\_\_\_  
 VMA CIRCA CABLE RAILING SYSTEM

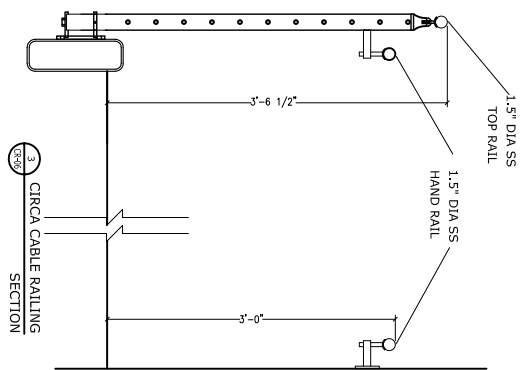
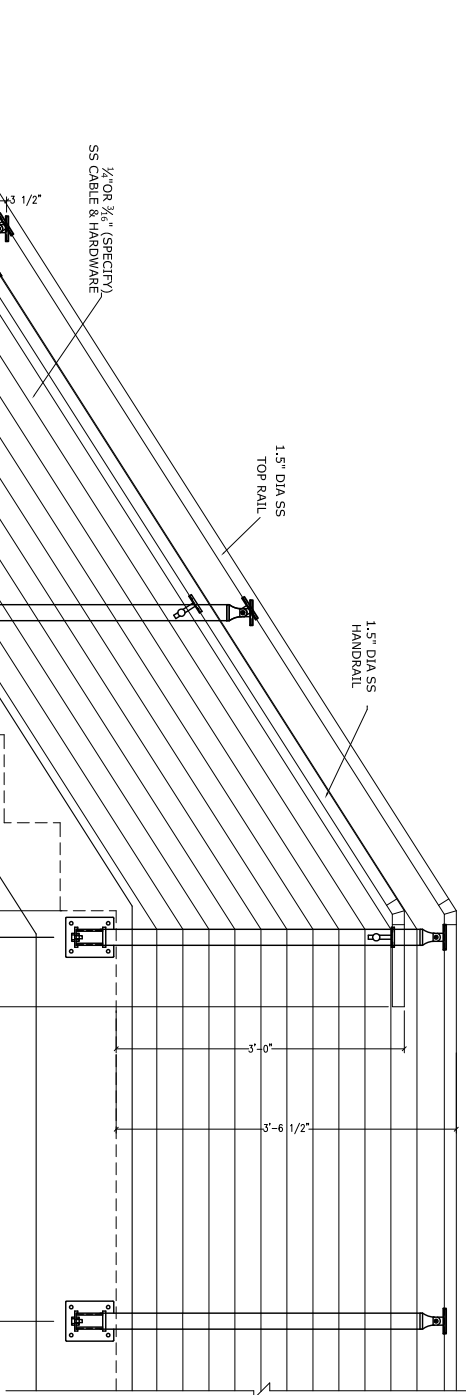
NOTE:  
 REFER CR-07 FOR MOUNTING OPTIONS  
 REFER CR-08 FOR CORNER OPTIONS

CR-05

NO.	REVISIONS	DATE
1	ISSUE FOR PERMIT	
2	ISSUE FOR FABRICATION	



1 CIRCA CABLE RAILING PLAN

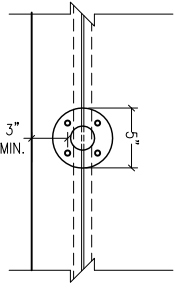


2 CIRCA CABLE RAILING-STAIR APPLICATION ELEVATION

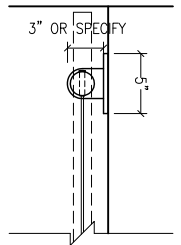
DATE	STATUS
	ISSUE FOR FABRICATION

project: \_\_\_\_\_  
 scale: 1/2" = 1'-0"  
 submitted on: \_\_\_\_\_  
 client: \_\_\_\_\_  
 contract: \_\_\_\_\_  
 content: \_\_\_\_\_  
 VMA CIRCA CABLE RAILING SYSTEM

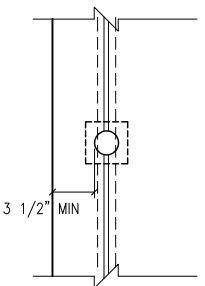
drawn by: \_\_\_\_\_  
 checked by: \_\_\_\_\_  
 date: \_\_\_\_\_  
 drawing no.: **CR-06**



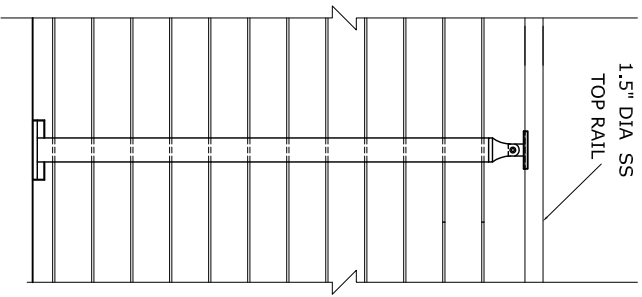
1  
CR-07  
CABLE RAILING TOP MOUNTED  
PLAN



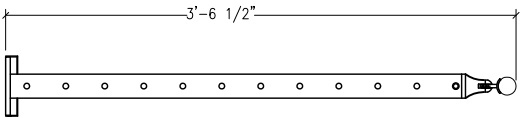
4  
CR-07  
CABLE RAILING FASCIA MOUNTED  
PLAN



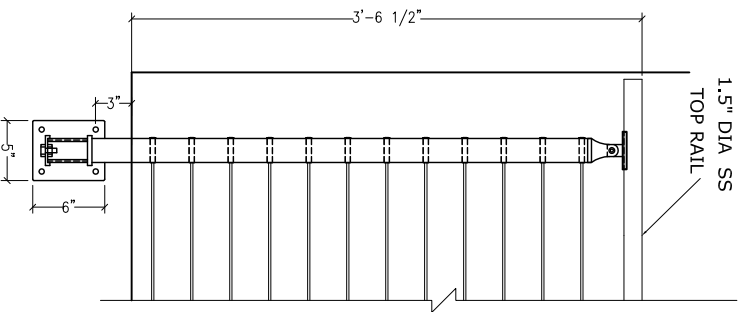
7  
CR-07  
CABLE RAILING CORE MOUNTED  
PLAN



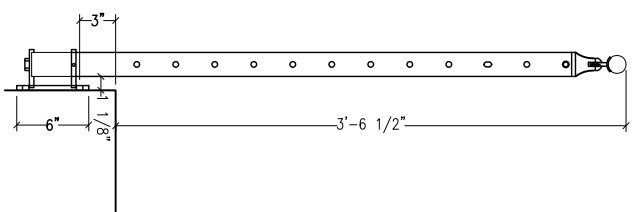
2  
CR-07  
CABLE RAILING TOP MOUNTED  
ELEVATION



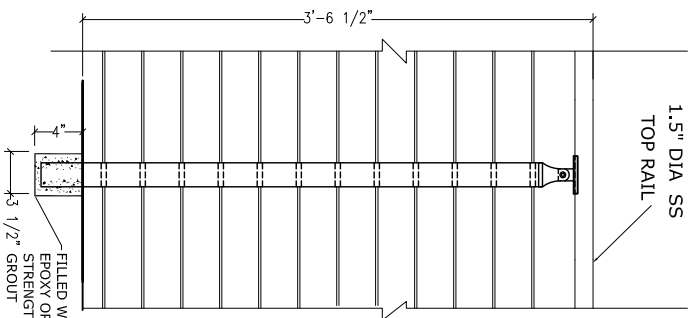
3  
CR-07  
SIDE ELEVATION



5  
CR-07  
CABLE RAILING FASCIA MOUNTED  
ELEVATION



6  
CR-07  
SECTION



8  
CR-07  
CABLE RAILING CORE MOUNTED  
ELEVATION

FILLED WITH EPOXY OR HIGH STRENGTH GROUT



NO.	REVISIONS

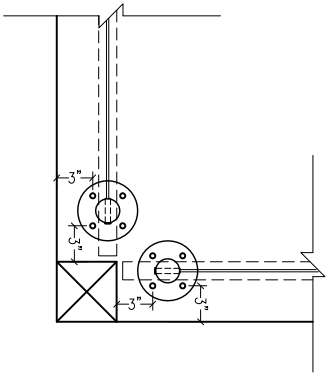
PROJECT: \_\_\_\_\_  
 SCALE: 3/4" = 1'-0"  
 SUBMITTED ON: \_\_\_\_\_  
 CLIENT: \_\_\_\_\_  
 CONTRACT: VMA CRCA CABLE RAILING SYSTEM

DATE:	STATUS:

DESIGN BY: \_\_\_\_\_  
 CHECKED BY: \_\_\_\_\_  
 DRAWING NO.: CR-07

NOTE:  
 REFER CR-08 FOR CORNER OPTIONS

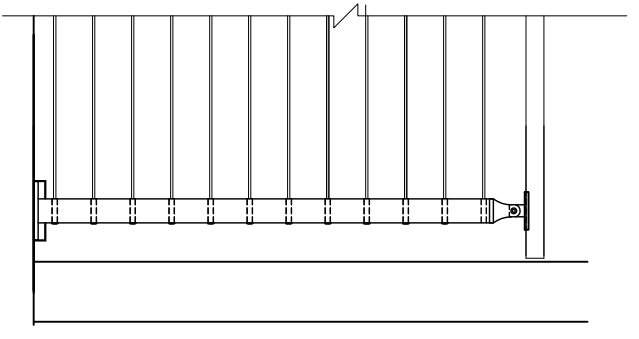
NO.	REVISIONS



1 CIRCA DOUBLE POST CORNER  
 CR-08 PLAN



3 WALL MOUNTED HAND RAIL BRACKET  
 CR-08 FRONT ELEVATION



2 CIRCA DOUBLE POST CORNER  
 CR-08 ELEVATION



4 WALL MOUNTED HAND RAIL BRACKET  
 CR-08 PLAN



5 WALL MOUNTED HAND RAIL BRACKET  
 CR-08 SIDE ELEVATION

APPROVED FOR FABRICATION	
DATE:	SIGN:

client: VMA ARCHITECTURAL  
 project: VMA CIRCA CABLE FALLING SYSTEM  
 scale: 3/4" = 1'-0"  
 submitted on:  
 client:

drawn by:  
 checked by:  
 date:  
 drawing no.: CR-08