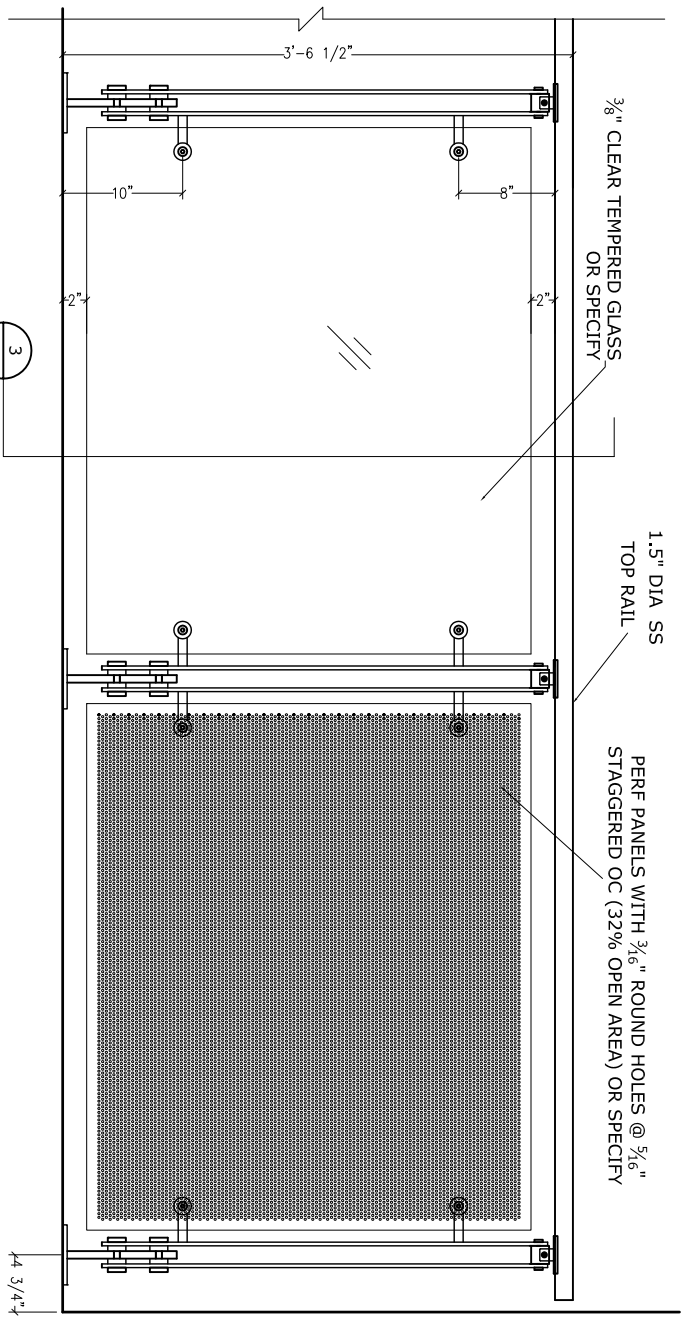
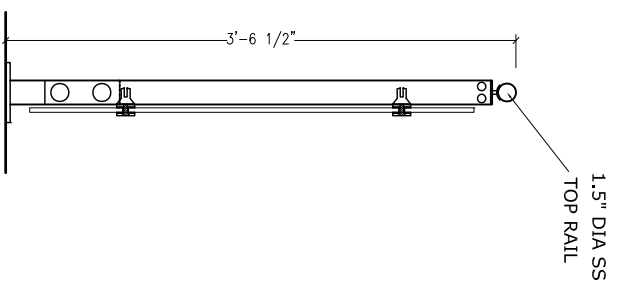


1 BLADE GLASS RAILING / PERF PANEL RAILING
 PLAN

NO.	REVISION	DATE



2 BLADE GLASS RAILING / PERF PANEL RAILING
 ELEVATION



3 SECTION

Product:
 Scale: 3/4" = 1'-0"
 Submitted on:
 Date:
 Client:

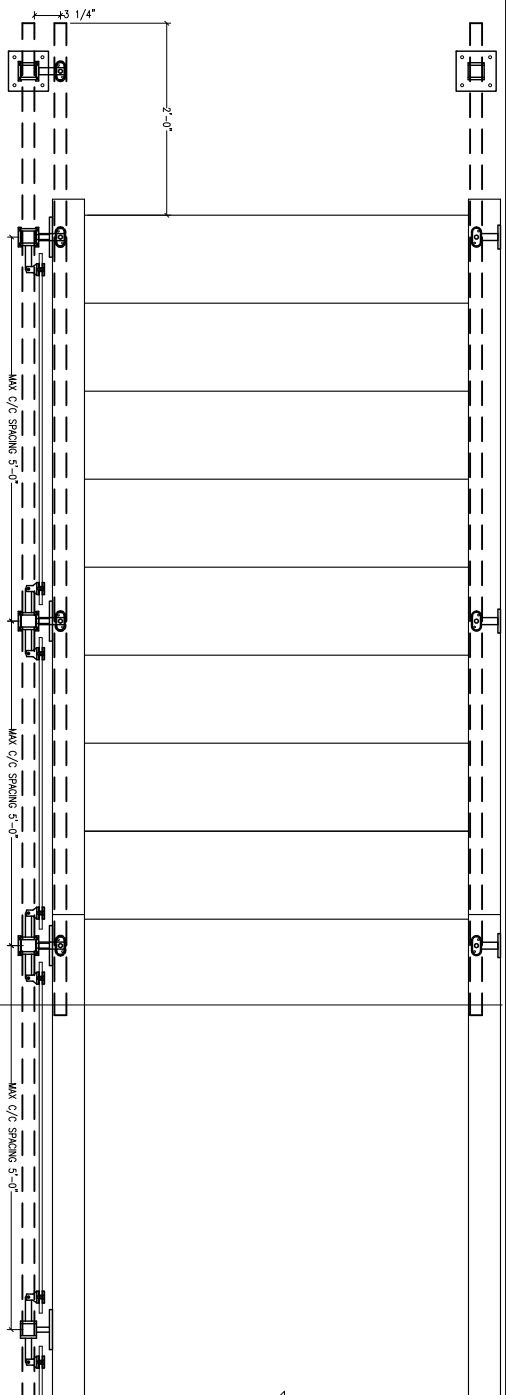
Project:
 VVA BLADE GLASS RAILING SYSTEM

Drawn by:
 Checked by:
 Date:
 Drawing No. BL-01

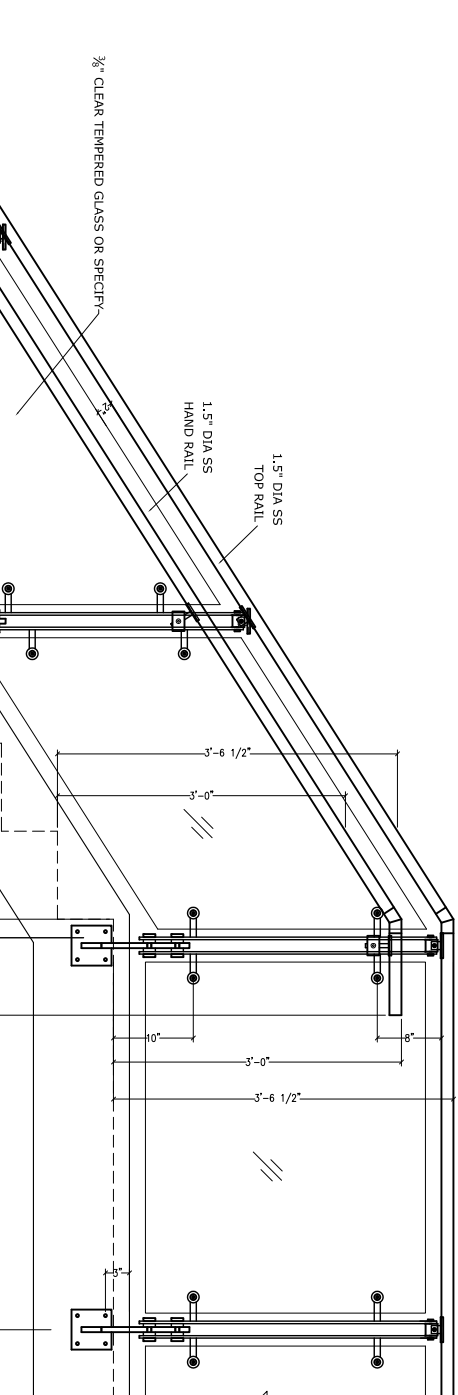
NOTE:
 REFER BL-03 FOR MOUNTING OPTIONS
 REFER BL-04 FOR CORNER OPTIONS

APPROVED FOR FABRICATION	
DATE:	SCALE:

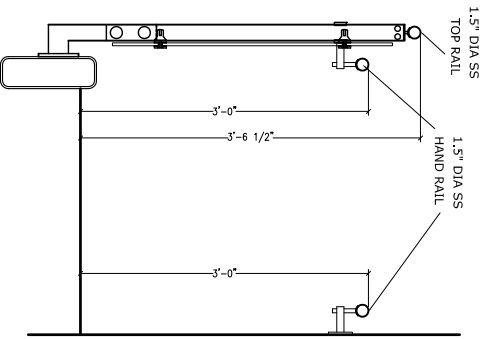
NO.	REVISION	DATE



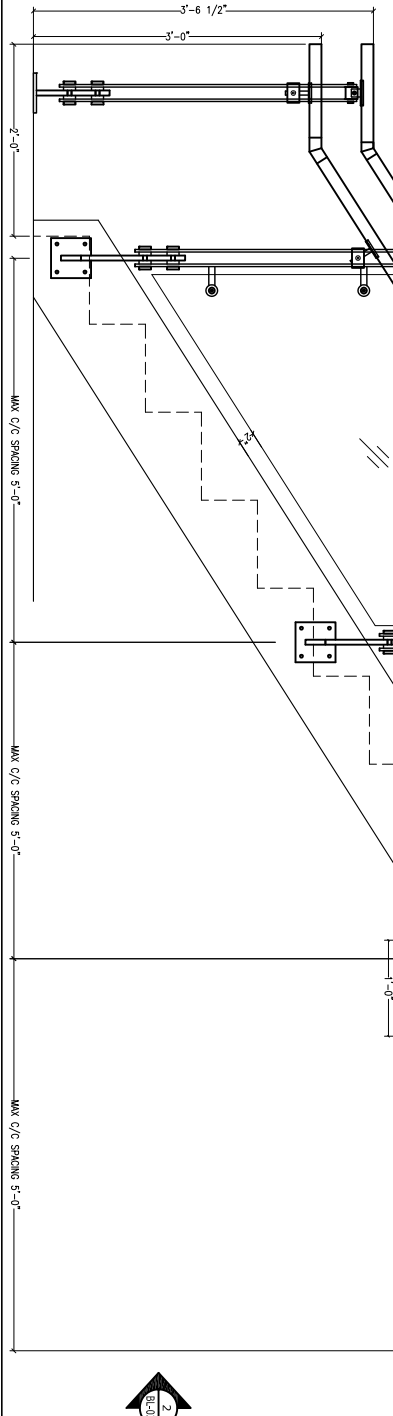
1 BLADE GLASS RAILING - STAIR APPLICATION
 PLAN



2 BLADE GLASS RAILING - STAIR APPLICATION
 SECTION



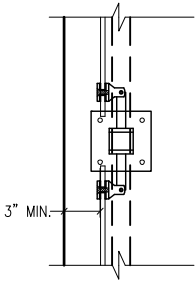
3 BLADE GLASS RAILING
 SECTION



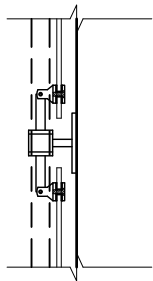
2 BLADE GLASS RAILING - STAIR APPLICATION
 ELEVATION

DATE	SCALE

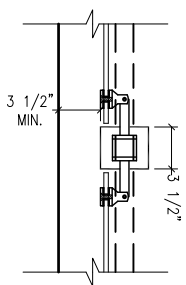
Project: _____
 Scale: 1/2" = 1'-0"
 Submitted on: _____
 Client: _____
 Content: VIA BLADE GLASS RAILING SYSTEM
 VMA ARCHITECTURAL
 400 SOUTH 54th STREET
 SUITE 110
 DENVER, CO 80202
 PH: 303.733.8888
 WWW.VIAARCHITECT.COM
 BL-02



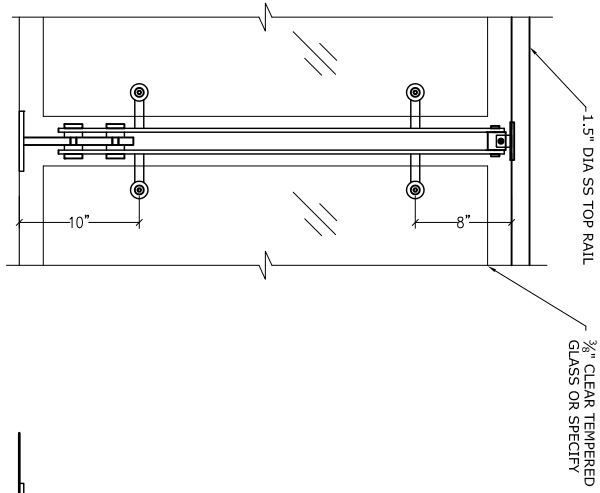
1
BL-03
GLASS RAILING - TOP MOUNTED
PLAN



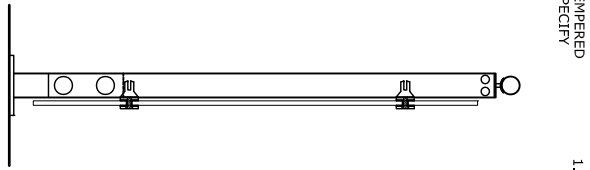
4
BL-03
GLASS RAILING - FASCIA MOUNTED
PLAN



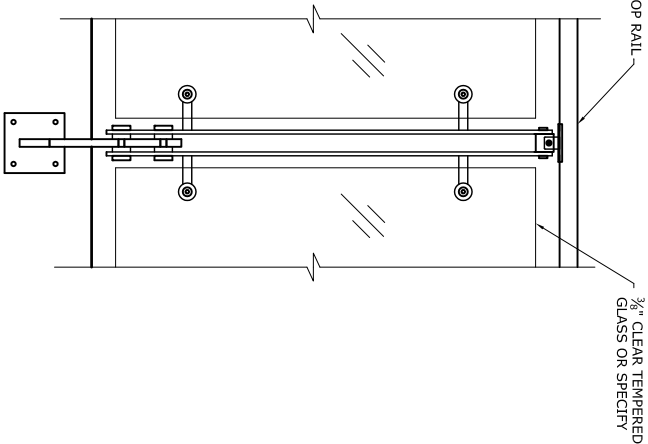
7
BL-03
GLASS RAILING - CORE MOUNTED
PLAN



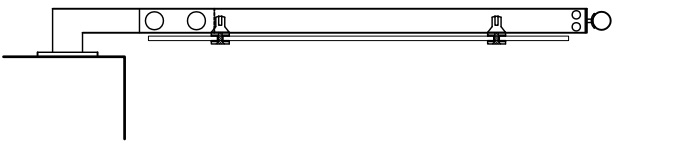
2
BL-03
GLASS RAILING - TOP MOUNTED
PLAN



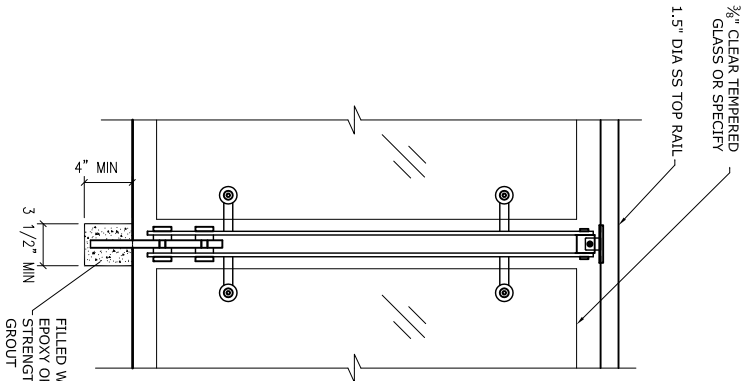
3
BL-03
SIDE ELEVATION



5
BL-03
GLASS RAILING - FASCIA MOUNTED
PLAN



6
BL-03
SIDE ELEVATION



8
BL-03
GLASS RAILING - CORE MOUNTED
PLAN

REFER BL-04 FOR MORE OPTIONS

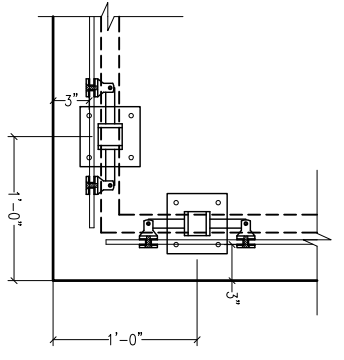


NO.	REVISIONS	DATE

content
 VVA BLADE GLASS RAILING SYSTEM
 drawn by: _____
 checked by: _____
 date: _____
 drawing no: **BL-03**

ALUMINUM EXTRUSION MANUFACTURER	
RAIL	GLASS

NO.	REVISION	DATE



1 BLADE FLOATING GLASS CORNER
 PLAN

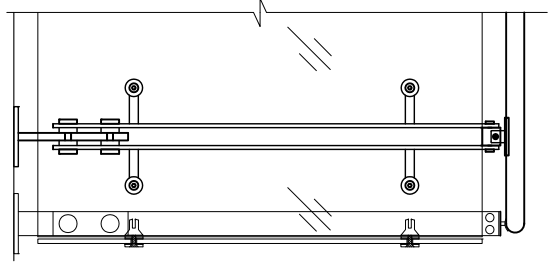
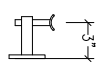
3 WALL MOUNTED HAND RAIL BRACKET
 FRONT ELEVATION



4 WALL MOUNTED HAND RAIL BRACKET
 PLAN



5 WALL MOUNTED HAND RAIL BRACKET
 SIDE ELEVATION



2 BLADE FLOATING GLASS CORNER
 PLAN

APPROVED FOR FABRICATION	
DATE	SCALE

product:
 scale: 3/4" = 1'-0"
 submitted on:
 client:
 content:
 VIVA BLADE GLASS RAILING SYSTEM

drawn by:
 checked by:
 date:
 drawing no:
BL-04